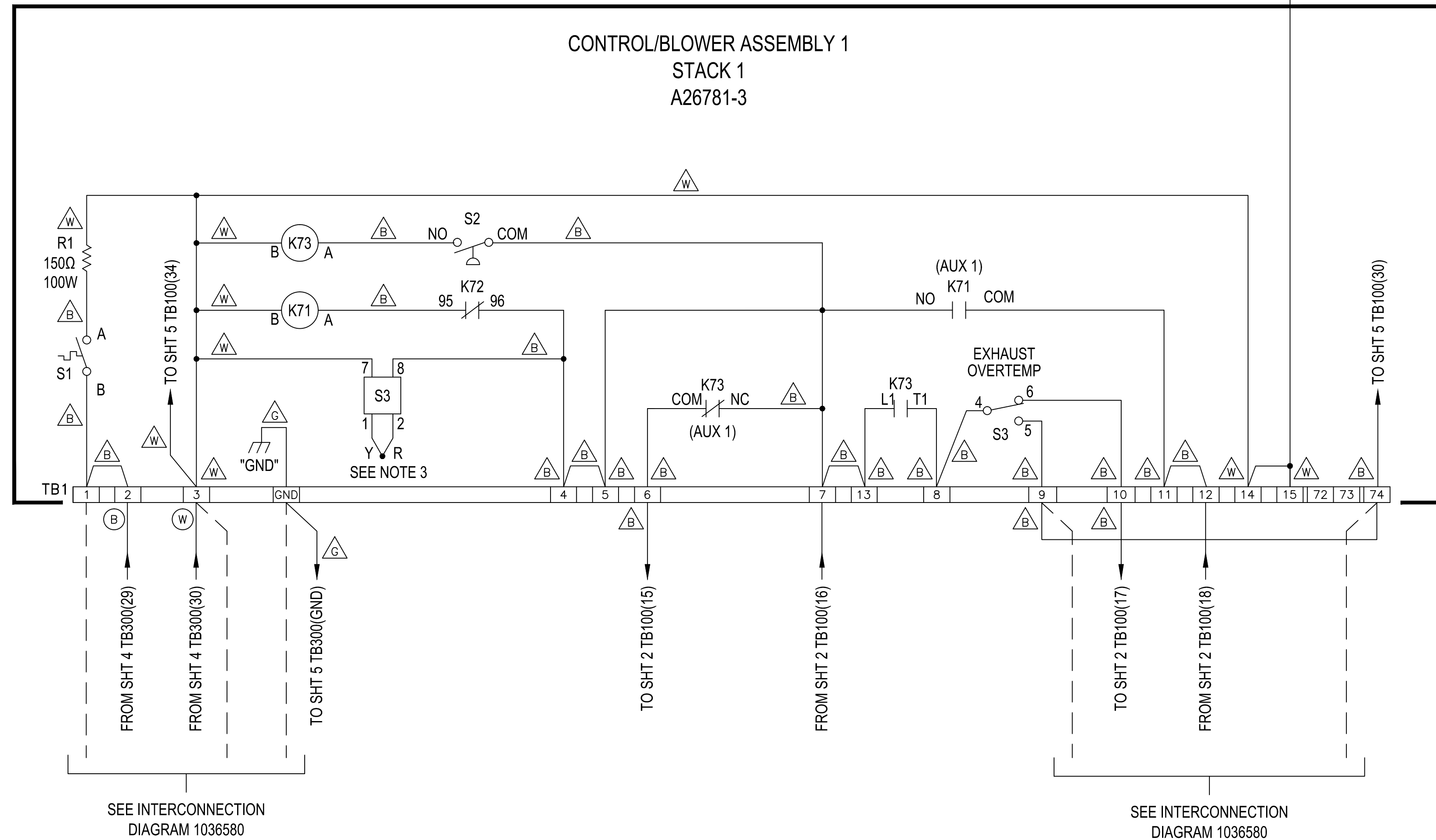


# LOAD BANK K875A 1035409



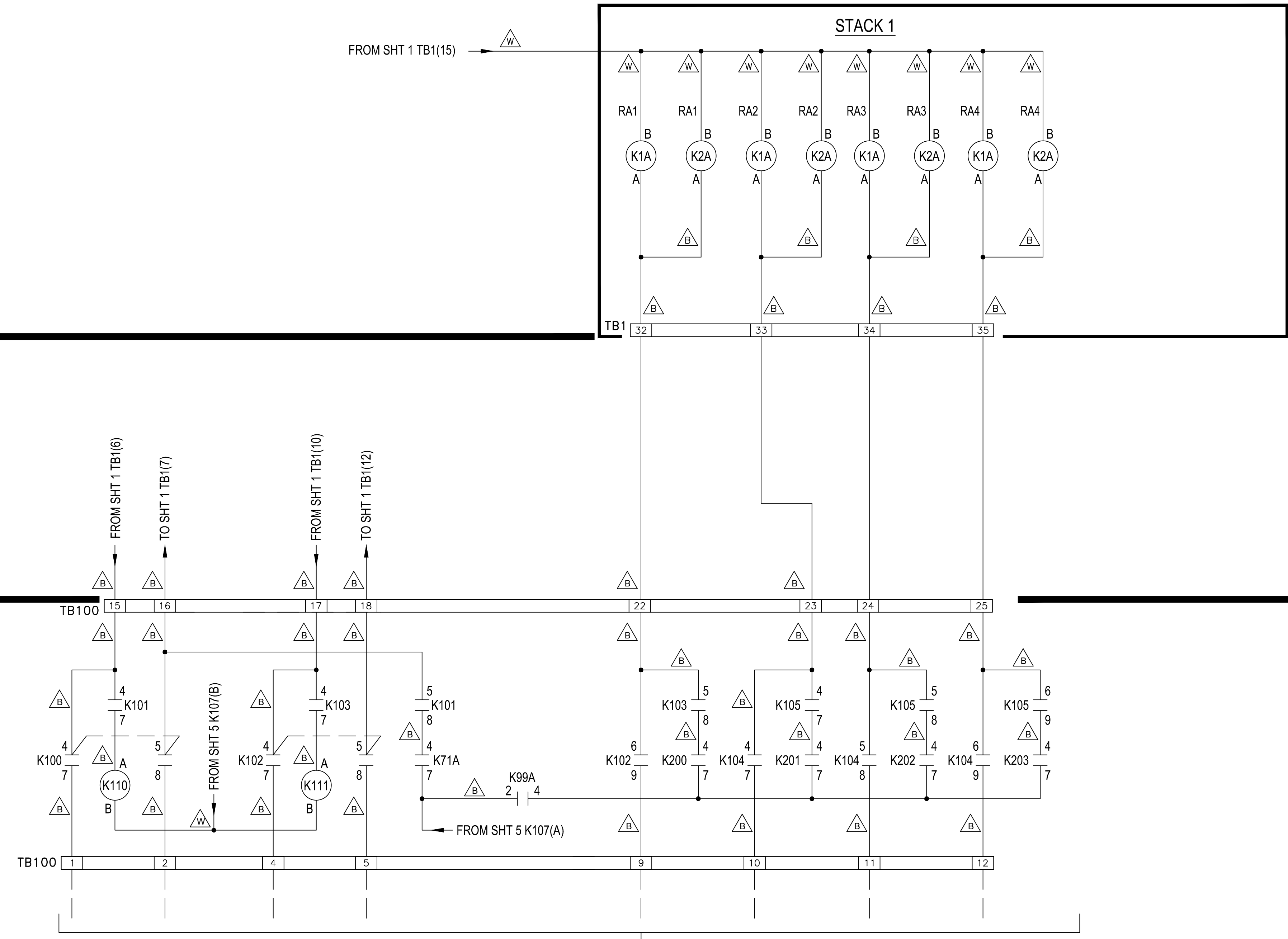
TO SHT 2 RA1 K1A(B)  
(STACK 1)

REFERENCE DRAWING 1036580 FOR CUSTOMER INTERCONNECTION  
WIRING BETWEEN LOAD BANK AND CONTROL PANEL.

3. THERMOCOUPLE A24741 IS WIRED AT TOP ASSEMBLY. SET S5 TO 375°.
  2. IF EXTERNAL POWER IS REQUIRED, REMOVE AVTRON WIRING FROM TB1(19-21) TO MAIN LOAD BUS AND CONNECT EXTERNAL 480V, 3 PH, 60 HZ SOURCE TO TB1(19-21).
  1. WIRE CODE
    - INDICATOR LIGHTS (DS1-DS6) ONLY CAN BE #16-#22 AWG.
    - B INDICATES WIRE TO BE BLACK #16 AWG (PN 390008)
    - W INDICATES WIRE TO BE WHITE #16 AWG (PN 390008)
    - G INDICATES WIRE TO BE GREEN #16 AWG (PN 390008)
    - B INDICATES WIRE TO BE BLACK #14 AWG (PN 390011)
    - W INDICATES WIRE TO BE WHITE #14 AWG (PN 390011)
    - G INDICATES WIRE TO BE GREEN #14 AWG (PN 390011)
    - A INDICATES WIRE TO BE BLACK #12 AWG (PN 390014)
    - S INDICATES WIRE TO BE BLACK #6 AWG (PN 390323)
    - D INDICATES WIRE TO BE BLACK #2 AWG (PN 390325)
    - B INDICATES WIRE TO BE BLACK #22 AWG (PN 390001)
    - W INDICATES WIRE TO BE WHITE #22 AWG (PN 390001)
- DASHED LINES INDICATE CUSTOMER WIRING

PROJECT NAME:		REV. TO SHEET	ECN NO.	BY	APP.	DATE	
SCHEMATIC DIAGRAM, LOAD BANK 600KW, 480V							
DRAWN BY	JRF	DATE	8/27/14	MANUFACTURING TOLERANCES TO BE IN ACCORDANCE WITH ASCO PROCEDURE MP-1-003. FOR PLASTIC PARTS SEE MP-1-005.	ASSEM. REF. NO.	COMPUTER GENERATED DRAWING	
CHECKED	JRF	DATE	8/27/14	PROPERTY OF ASCO POWER TECHNOLOGIES. USE PERMITTED FOR OUR WORK ONLY. ALL RIGHTS OF DESIGN OR INVENTION ARE RESERVED.	SCALE	1:1	
PROJECT APPROVAL	PPP	DATE	8/28/14		SIZE	DS	
FINAL APPROVAL	RJS	DATE	8/28/14		DWG. NO.	1036579	
				<b>ASCO</b> ASCO POWER TECHNOLOGIES, L.P. FLORHAM PARK, NEW JERSEY 07932 U.S.A.		SHEET	1 OF 6

# LOAD BANK K875A 1035409



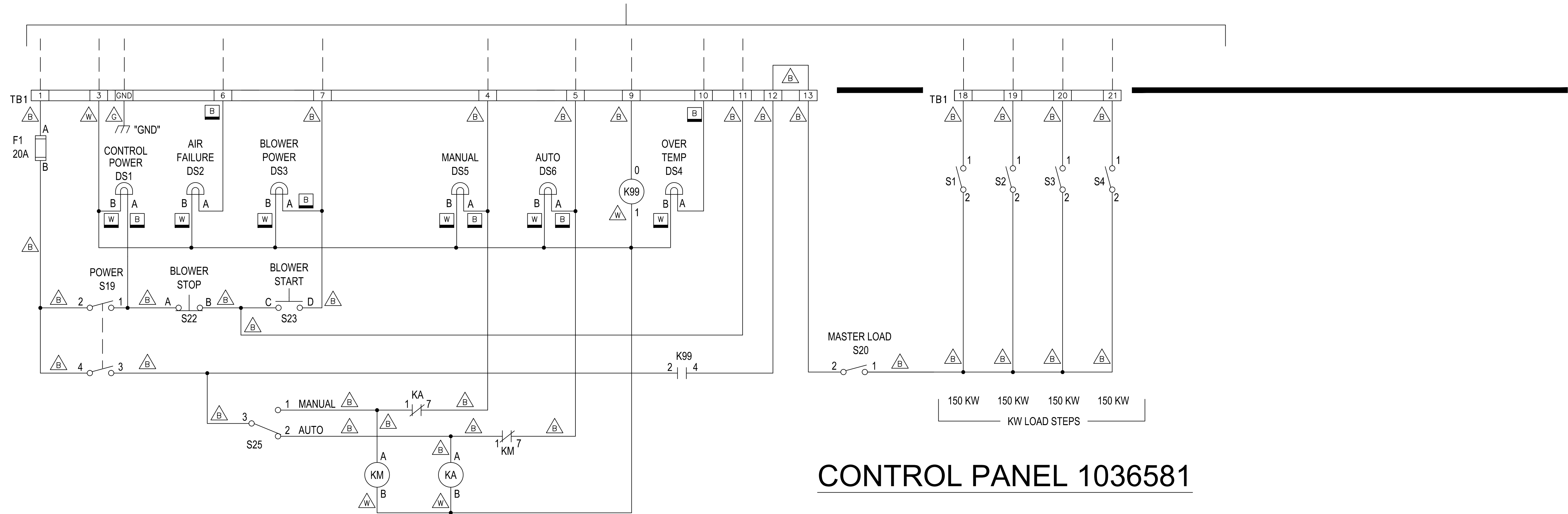
SEE INTERCONNECTION  
DIAGRAM 1036580

SEE SHEET 1 FOR WIRE CODE

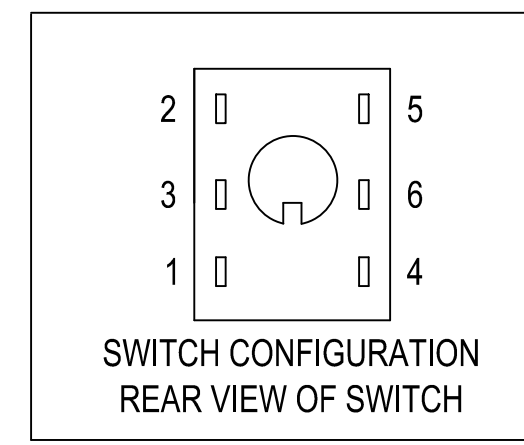
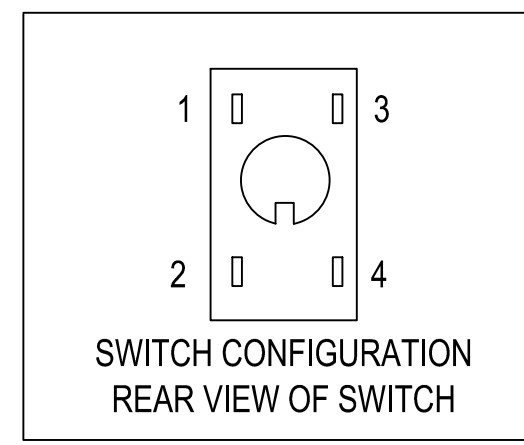
PROJECT NAME:		REV. TO SHEET	ECN NO.	BY	APP.	DATE
SCHEMATIC DIAGRAM, LOAD BANK						
DRAWN BY: JRF		DATE: 8/27/14	MANUFACTURING TOLERANCES TO BE IN ACCORDANCE WITH ASCO PROCEDURE MP-1-003. FOR PLASTIC PARTS SEE MP-1-055.	ASSEM. REF. NO.	COMPUTER GENERATED DRAWING	
CHECKED: JRF	DATE: 8/27/14	PROPERTY OF ASCO POWER TECHNOLOGIES. USE PERMITTED FOR OUR WORK ONLY. ALL RIGHTS OF DESIGN OR INVENTION ARE RESERVED.		DWG. NO.	SCALE: 1:1	SIZE: DS
PROJECT APPROVAL: PPP	DATE: 8/28/14			1036579		
FINAL APPROVAL: RJS	DATE: 8/28/14	<b>ASCO</b> POWER TECHNOLOGIES, L.P. FLORHAM PARK, NEW JERSEY 07932 U.S.A.		DRAWING REV.	ECN NO.	SHEET 2 OF 6

# LOAD BANK K875A 1035409

REFERENCE DRAWING 1036580 FOR CUSTOMER INTERCONNECTION  
WIRING BETWEEN LOAD BANK AND CONTROL PANEL.



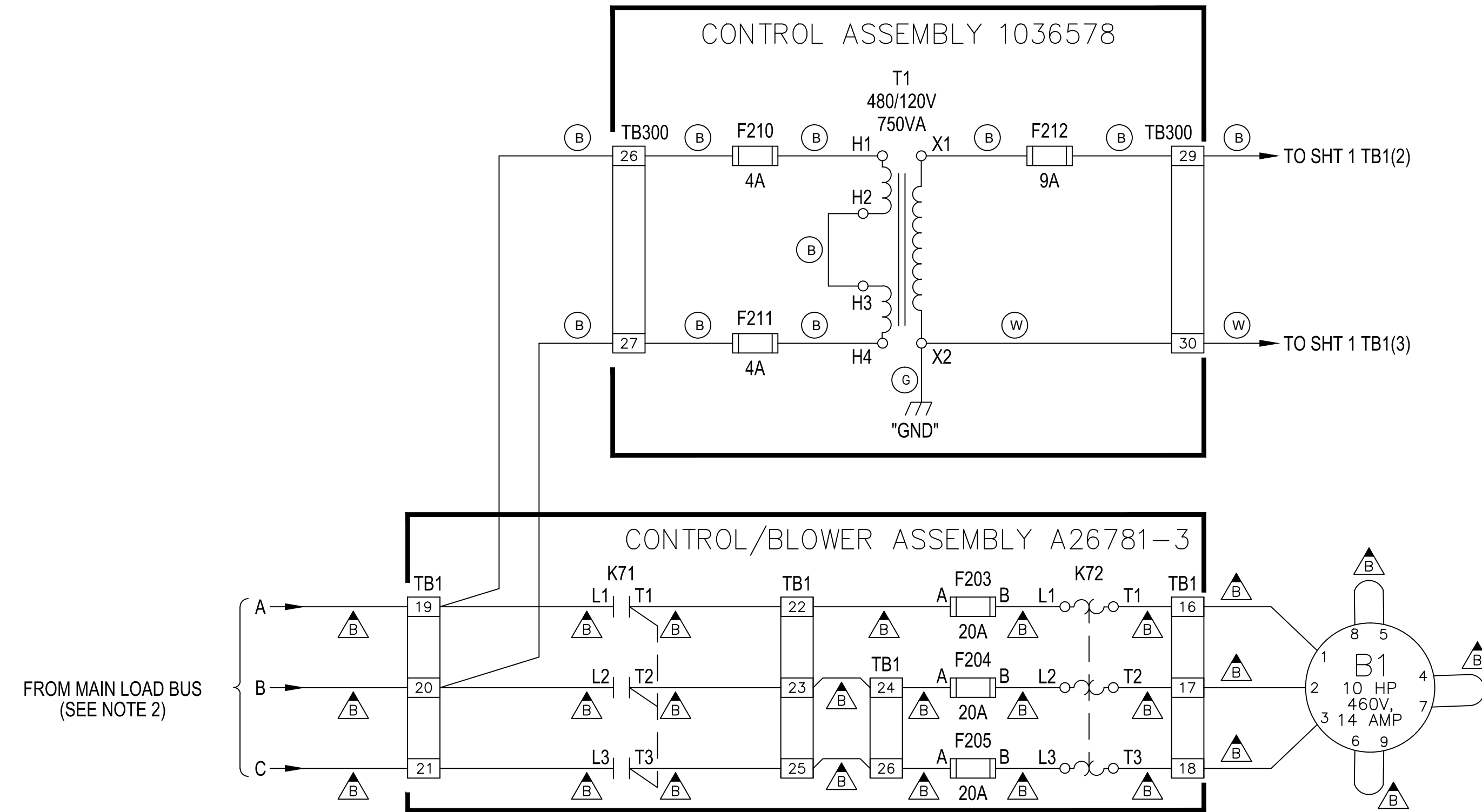
# CONTROL PANEL 1036581



SEE SHEET 1 FOR WIRE CODE

PROJECT NAME:		REV. TO SHEET	ECN NO.	BY	APP.	DATE
SCHEMATIC DIAGRAM, LOAD BANK				THIRD ANGLE PROJECTION		
BY	DATE	MANUFACTURING TOLERANCES TO BE IN ACCORDANCE WITH ASCO PROCEDURE MP-1-003. FOR PLASTIC PARTS SEE MP-1-005.		ASSEM. REF. NO.	COMPUTER GENERATED DRAWING	
CHECKED	JRF 8/27/14	PROPERTY OF ASCO POWER TECHNOLOGIES. USE PERMITTED FOR OUR WORK ONLY. ALL RIGHTS OF DESIGN OR INVENTION ARE RESERVED.		DWG. NO.	SCALE	SIZE DS
PROJECT APPROVAL	PPP 8/28/14			1036579	1:1	
FINAL APPROVAL	RJS 8/28/14	ASCO® ASCO POWER TECHNOLOGIES, L.P. FLORHAM PARK, NEW JERSEY 07932 U.S.A.		DRAWING - ECH NO.	SHEET 3 OF 6	

# LOAD BANK K875A 1035409

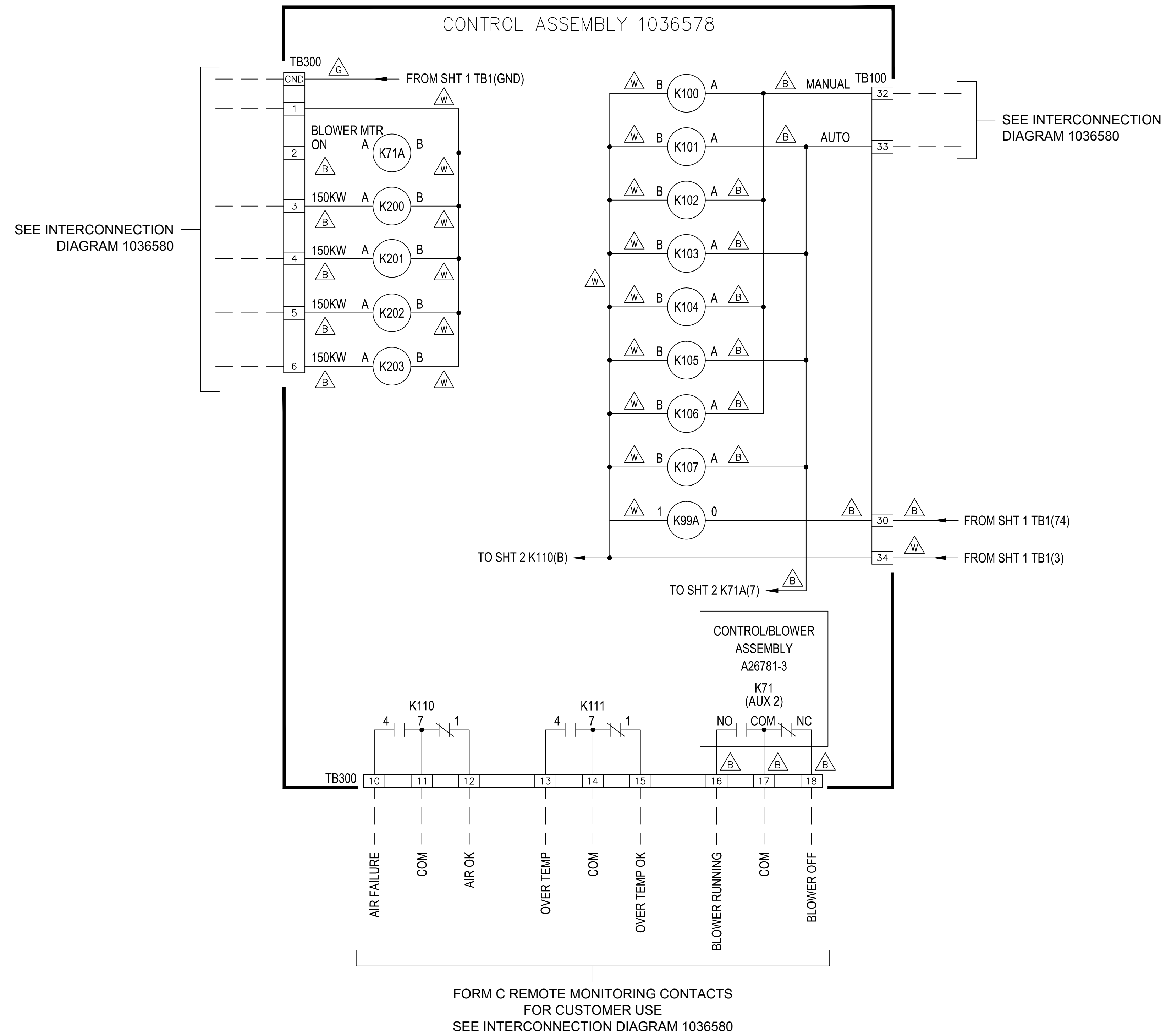


FROM MAIN LOAD BUS  
(SEE NOTE 2)

SEE SHEET 1 FOR WIRE CODE

PROJECT NAME:		REV. TO SHEET	ECN NO.	BY	APP.	DATE
SCHEMATIC DIAGRAM, LOAD BANK				 THIRD ANGLE PROJECTION		
BY	DATE	MANUFACTURING TOLERANCES TO BE IN ACCORDANCE WITH ASCO PROCEDURE MP-1-003. FOR PLASTIC PARTS SEE MP-1-005.		ASSEM. REF. NO.	COMPUTER GENERATED DRAWING	
DRAWN BY	JRF	8/27/14			SCALE	1:1
CHECKED	JRF	8/27/14	PROPERTY OF ASCO POWER TECHNOLOGIES. USE PERMITTED FOR OUR WORK ONLY. ALL RIGHTS OF DESIGN OR INVENTION ARE RESERVED.		DWG. NO.	SIZE DS
PROJECT APPROVAL	PPP	8/28/14			1036579	
FINAL APPROVAL	RJS	8/28/14	ASCO POWER TECHNOLOGIES, L.P. FLORHAM PARK, NEW JERSEY 07932 U.S.A.		DRAWING REV.	ECN NO. 4 OF 6

# LOAD BANK K875A 1035409



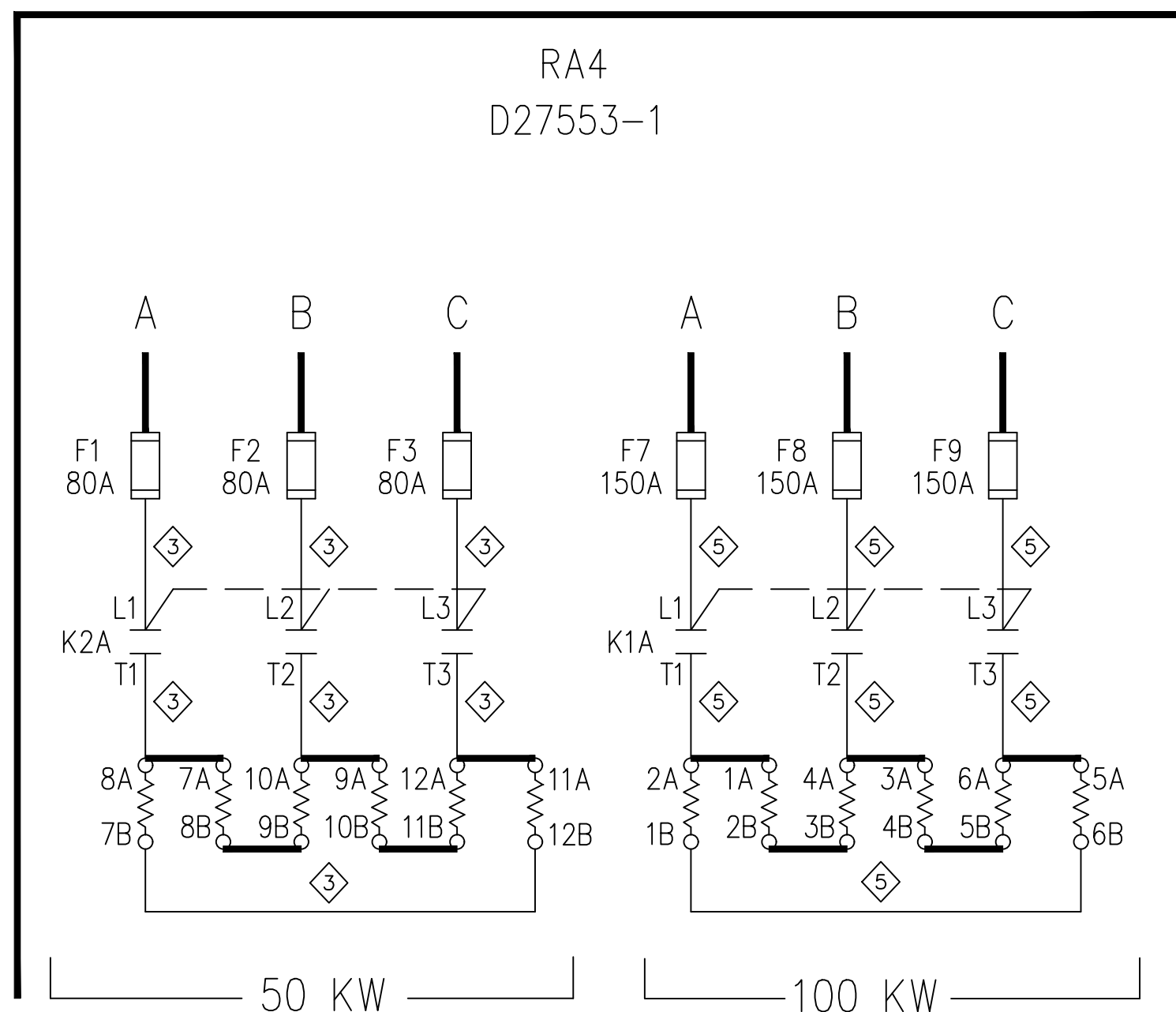
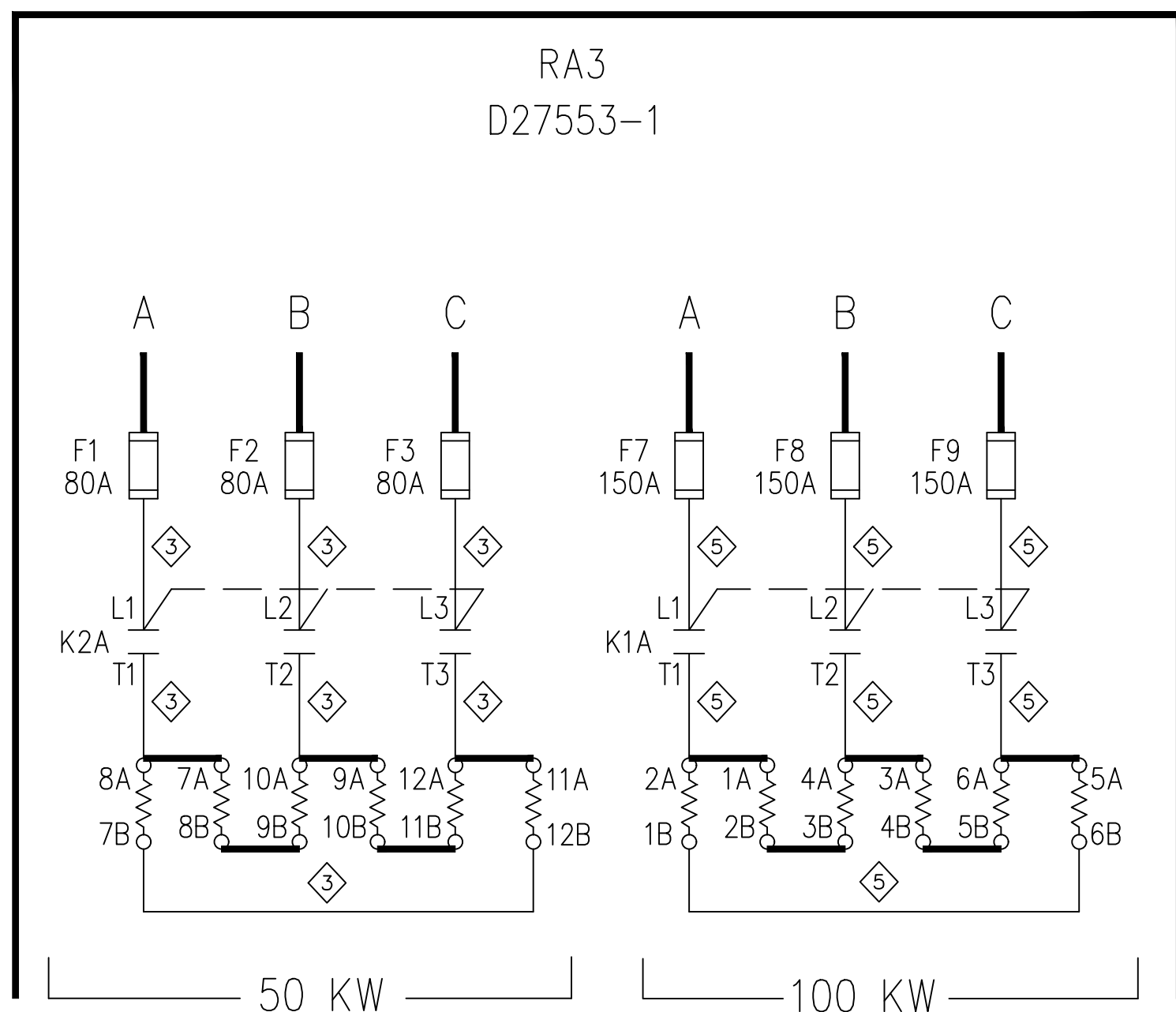
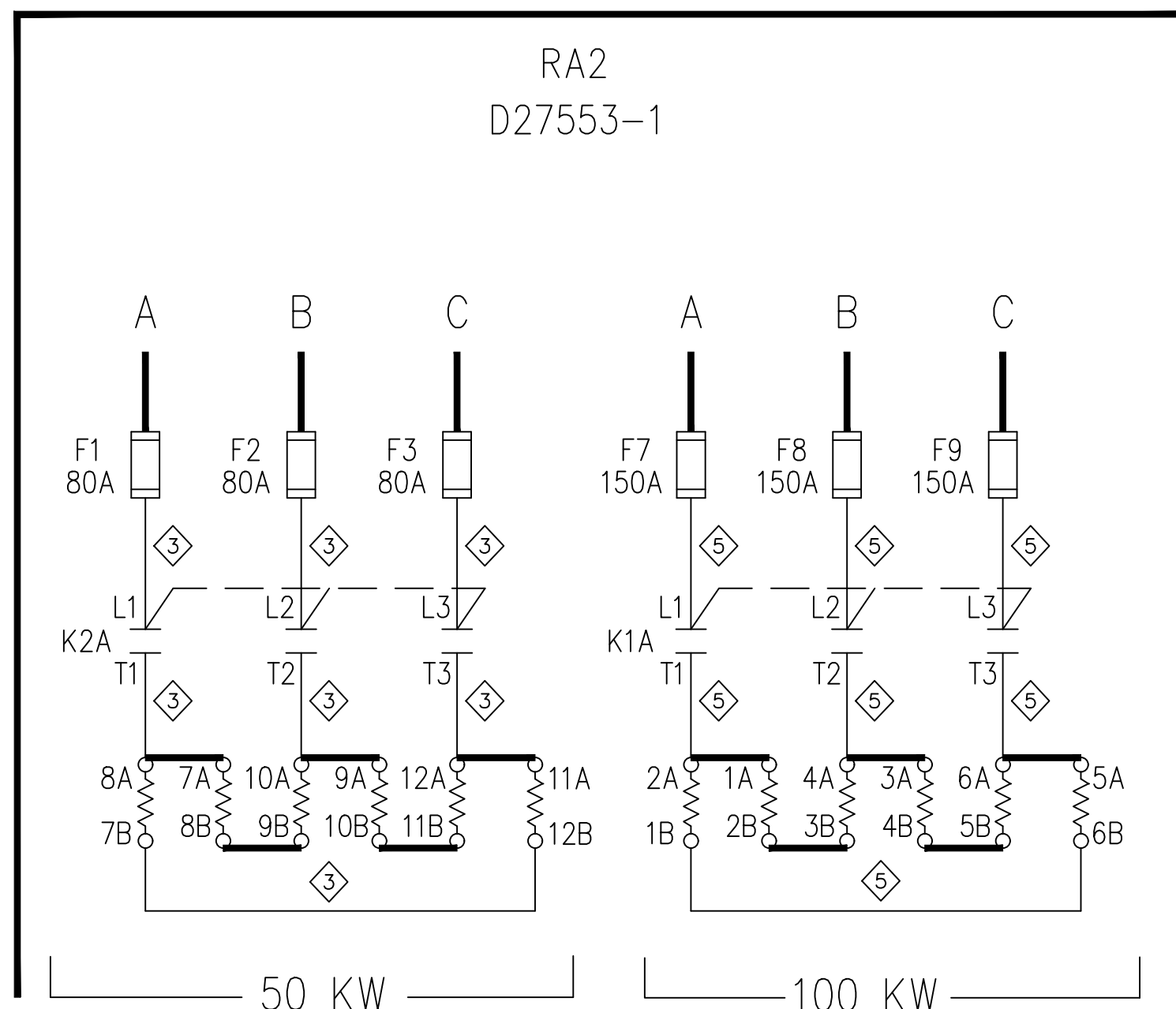
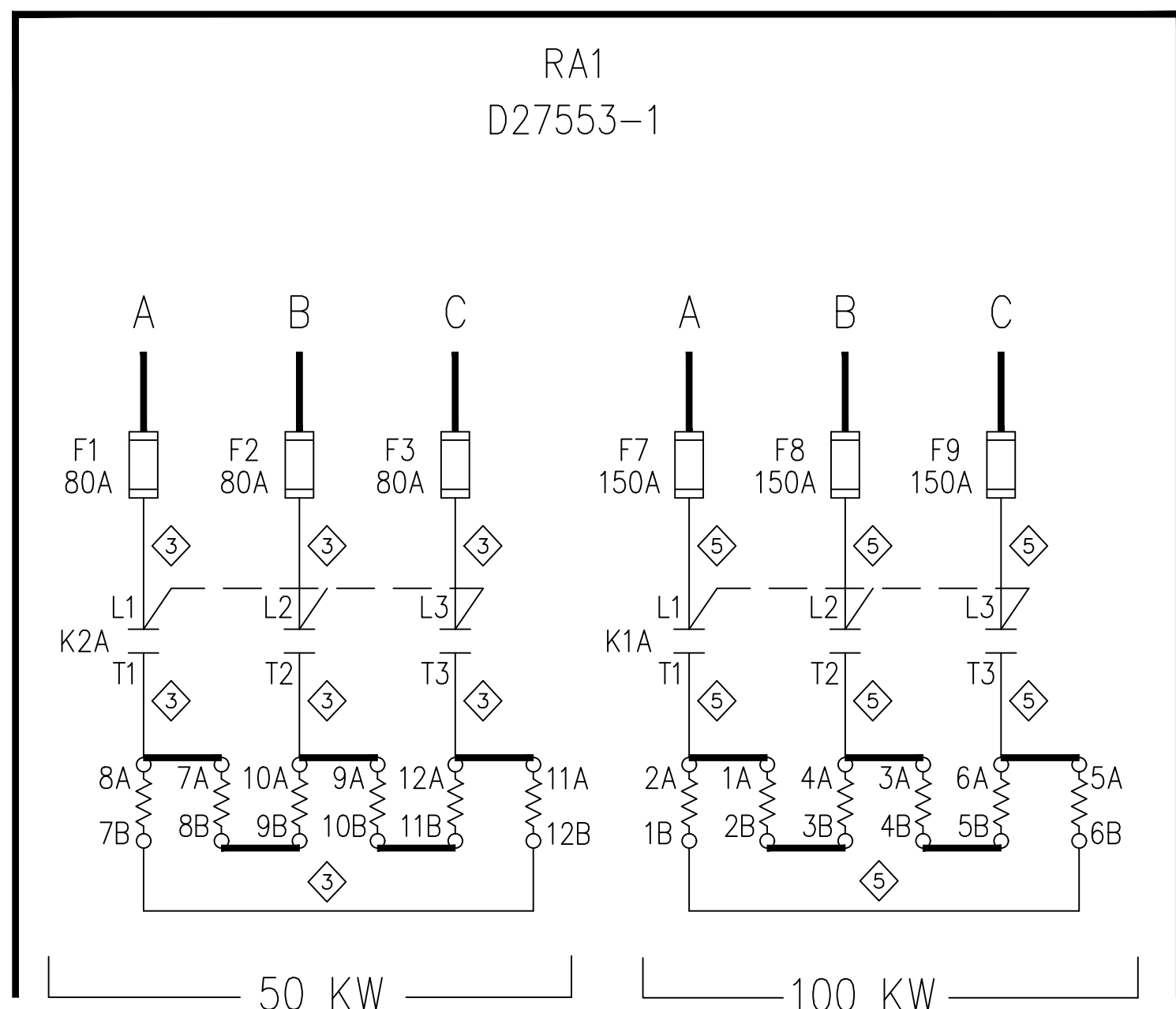
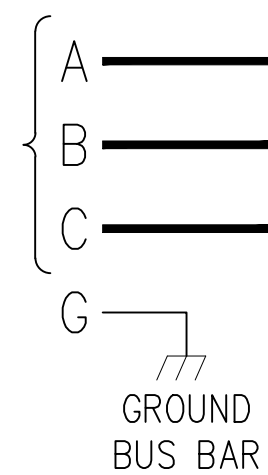
SEE SHEET 1 FOR WIRE CODE

PROJECT NAME:		REV. TO SHEET	ECN NO.	BY	APP.	DATE
SCHEMATIC DIAGRAM, LOAD BANK				THIRD ANGLE PROJECTION		
BY	DATE	MANUFACTURING TOLERANCES TO BE IN ACCORDANCE WITH ASCO PROCEDURE MP-1-003. FOR PLASTIC PARTS SEE MP-1-055		ASSEM. REF. NO.	COMPUTER GENERATED DRAWING	
DRAWN BY	JRF	8/27/14			SCALE	1:1
CHECKED	JRF	8/28/14	PROPERTY OF ASCO POWER TECHNOLOGIES. USE PERMITTED FOR OUR WORK ONLY. ALL RIGHTS OF DESIGN OR INVENTION ARE RESERVED.		SIZE	DS
PROJECT APPROVAL	PPP	8/28/14			DWG. NO.	1036579
FINAL APPROVAL	RJS	8/28/14	ASCO® ASCO POWER TECHNOLOGIES, L.P. FLORHAM PARK, NEW JERSEY 07932 U.S.A.		DRAWING REV.	ECN NO. 5 OF 6

LOAD BANK K875A 1035409

STACK #1

MAIN LOAD BUS INPUT  
600 KW, 480V  
3 PH, 60 HZ,  
722 AMP/PH



SEE SHEET 1 FOR WIRE CODE

PROJECT NAME:		REV. TO SHEET	ECN NO.	BY	APP.	DATE
SCHEMATIC DIAGRAM, LOAD BANK				THIRD ANGLE PROJECTION		
BY	DATE	MANUFACTURING TOLERANCES TO BE IN ACCORDANCE WITH ASCO PROCEDURE MP-1-003. FOR PLASTIC PARTS SEE MP-1-005.		ASSEM. REF. NO.	COMPUTER GENERATED DRAWING	
CHECKED	JRF	8/28/14	PROPERTY OF ASCO POWER TECHNOLOGIES. USE PERMITTED FOR OUR WORK ONLY. ALL RIGHTS OF DESIGN OR INVENTION ARE RESERVED.		SCALE	1:1
PROJECT APPROVAL	PPP	8/28/14			SIZE	DS
FINAL APPROVAL	RJS	8/28/14	1036579		DRAWING NO.	
			ASCO® ASCO POWER TECHNOLOGIES, L.P. FLORHAM PARK, NEW JERSEY 07932 U.S.A.		ECN NO.	SHEET 6 OF 6