

# Avtron LSH

## Resistive Permanent Load Bank - 10 to 150 KW

**Testing Your Emergency Standby Generator with a Load Bank Means Reliability When it Matters Most.**

### Key Features

- Outdoor Installation
- Heavy Gauge Aluminized Steel Construction
- Built-in Forklift Channels
- Fully Supported Load Elements
- No Cool Down Period Required
- Remote Operator Controls
- Easy Operation and Maintenance

Superior Avtron quality combined with simple operation and maintenance will provide years of trouble free service.

Avtron's extensive line of Load Bank and Industrial Resistor Products are solid performers used throughout the world.

For total technical support or additional information, please contact Avtron at (216) 573-7600 or [LBsales@Emerson.com](mailto:LBsales@Emerson.com).

Quality System Certified to ISO 9001

**The Avtron Model LSH Load Bank is designed for permanent outdoor installation.**

The Avtron LSH Load Bank is designed and built to incorporate the latest, state-of-the-art load bank features. This model requires no cool down period after load is removed. The contactors are housed in a thermostatically controlled heated enclosure for protection against condensation related problems. The LSH load bank is used in the generator and UPS industries. This unit is designed to be permanently mounted for dedicated, on-site testing.

The LSH load bank contains resistive elements and a blower motor in a rigid structure of formed heavy gauge aluminized steel. Designed for outdoor installation, the load bank utilizes a fixed louver on the exhaust opening to protect the motor and resistive elements from the weather.

A remote control panel is provided for load bank operation and includes the necessary controls and status indicators.



*LSH 50 KW Permanent Resistive Avtron Load Bank.*

# Avtron LSH

Resistive Permanent Load Bank - 10 to 150 KW

## Specifications subject to change without notice.

### Construction

The load bank enclosure is constructed of heavy gauge aluminized steel. A fixed louver is provided on the exhaust opening. Permanent base has built-in forklift channels and is designed for outdoor mounting on floor, roof, or concrete pad. Contactors are protected in a thermostatically controlled, heated enclosure.

### Resistor Elements

The fully supported Helidyne™ resistive elements are designed by Avtron and manufactured of a corrosion resistant chromium alloy wire.

### Control Power

The unit requires control power of 120 volts, single phase, 60 Hz. (Control power transformer optional.)

### Cooling

The resistive elements are air cooled by an integrally mounted 3 phase blower motor. No additional cooling period is required when load is removed.

### Controls

The 19" [482.6] rack mounted control panel is provided loose for remote mounting (control panel enclosure is optional). Controls include a POWER ON-OFF switch, a CONTROL POWER light, BLOWER ON-OFF push buttons with a BLOWER POWER light and AIR FAIL light, MASTER LOAD ON-OFF switch, and individual load step ON-OFF toggle switches.

### Optional Digital Metering

Avtron Advanced Digital Monitoring System (ADMS™) is provided for display of Volts, Amps, Frequency, and KW. ADMS™ also includes Communicator EXT™ Data Logging Software.

### Protection

The LSH load bank features branch circuit fusing on all load steps and overtemperature protection. A differential pressure air switch on the blower is electrically interlocked to remove the load if the airflow is not sufficient to provide proper cooling.

### Load Capacity Ratings: (3 phase, 60 Hz)

Available Load Step Resolution: 5 KW

Rated KW	208 VAC	240 VAC	240/480 VAC	480 VAC
10		✓		✓
15	✓	✓		✓
30	✓	✓		✓
50	✓	✓	✓	✓
60	✓	✓		✓
75	✓	✓	✓	✓
100	✓	✓	✓	✓
125	✓	✓	✓	✓
150	✓	✓	✓	✓

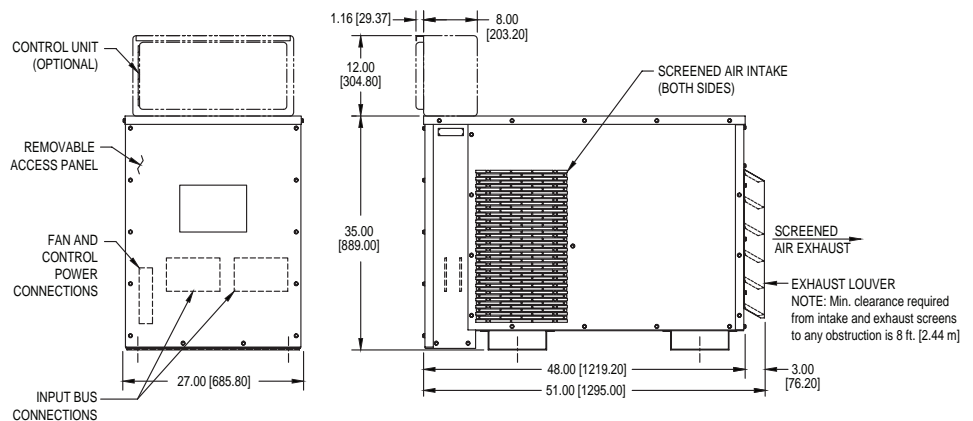
**NOTE** Designs for international 50/60 Hz voltages or custom DC designs are also available. Consult factory.

### Load Bank Weight (approx.)

500 lbs. [227 kg]

### Options

- SIGMA™ Network Control
- ADMS™ Digital Metering (V, A, KW, Hz) with Communicator EXT™ Data Logging Software
- Meter and Control Panel Enclosure
- Control Power Transformer
- Automatic Load Step Controller
- 1 KW Load Step Resolution



All dimensions are in inches [millimeters].



Emerson Network Power

Avtron • 6255 Halle Drive, Cleveland, Ohio 44125, U.S.A.  
216-573-7600 • FAX: 216-573-5953 • LBsales@Emerson.com

[EmersonNetworkPower.com/loadbank](http://EmersonNetworkPower.com/loadbank)

Emerson, Consider it Solved and Emerson Network Power are trademarks of Emerson Electric Co. or one of its affiliated companies. All the other marks are the property of their respective owners. Communicator EXT™ is a trademark of Electro Industries/GaugeTech. ADMS™ and Helidyne™ are trademarks of Avtron. SIGMA™ is a trademark of NJ Froment & Co. Ltd. Specifications subject to change without notice.

©2015 Emerson Network Power

Bulletin 430 • Rev. C

**EMERSON. CONSIDER IT SOLVED.™**