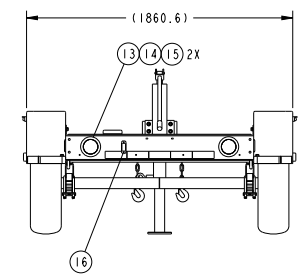
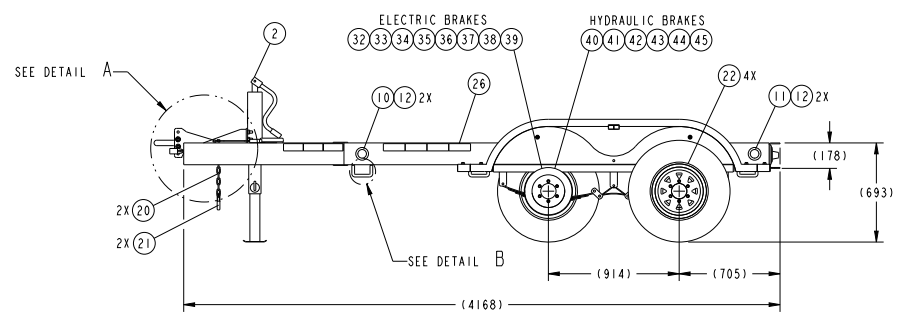
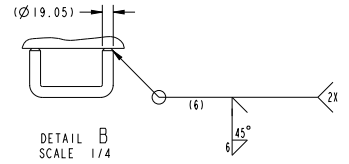
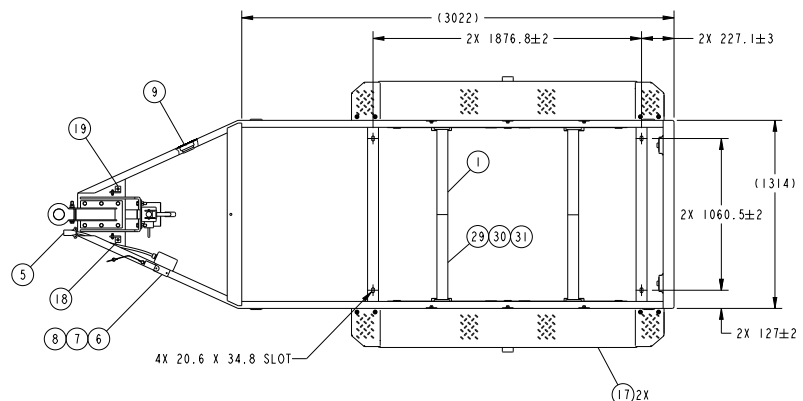
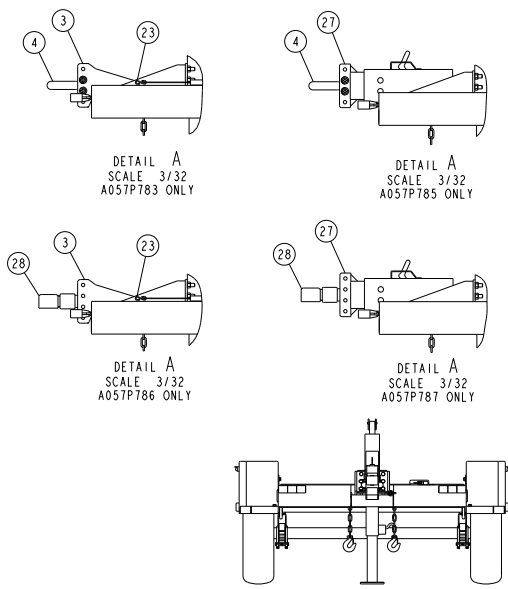


REL NO	REV NO	REVISION	DRW	CRD	APPD	DATE
ECO-169665	A	1	PRODUCTION RELEASE	JOS	GJTS NKPATKAR	31MAY17

- NOTES:
- THIS PART IS MANUFACTURER SOURCE CONTROLLED.
  - TRAILER TO BE BUILT IN ACCORDANCE WITH THE NATIONAL ASSOCIATION OF TRAILER MANUFACTURER'S (NATM) COMPLIANCE VERIFICATION PROGRAM.
  - 7-POLE CONNECTOR FOR LIGHTING & BRAKES.
  - TRAILER RATED FOR 3992 KG (8800 LBS).
  - PAINT REQUIREMENTS:  
5.1 ALL TRAILER SUPPLIER FABRICATED PARTS MUST ADHERE TO CPG MATERIAL REQUIREMENTS.  
5.2 ALL TRAILER SUPPLIER PURCHASED PARTS TO BE FREE OF SURFACE RUST. TOUCH-UP PAINT AS REQUIRED.
  - WELD SYMBOLS PER AWS A2.4.
  - BOM FOR SERVICE PARTS ONLY. NOT FOR MANUFACTURING.
  - IF A VALUE OF 0 (ZERO) IS USED IN THE BILL OF MATERIAL, THE AFFECTED ITEMS ARE FOR REFERENCE ONLY. THESE ITEMS HAVE BEEN INCLUDED IN THE BILL OF MATERIAL FOR ASSEMBLY AND TRACEABILITY PURPOSES.
  - PER TRANSPORT CANADA REQUIREMENTS THE WEIGHT OF THE CARGO SHOULD NEVER EXCEED 1011 KG/2227 LBS.

D  
C  
B  
A

D  
C  
B  
A



TABULATION		
PART NUMBER	CURRENT_ER	DESCRIPTION
A057P783	ECO-169665	ELECTRIC BRAKE, PINTLE HITCH
A057P785	ECO-169665	HYDRAULIC BRAKE, PINTLE HITCH
A057P786	ECO-169665	ELECTRIC BRAKE, BALL HITCH
A057P787	ECO-169665	HYDRAULIC BRAKE, BALL HITCH

UNLESS OTHERWISE SPECIFIED, ALL DIMENSIONS ARE IN MILLIMETERS	Rev No A053C790	DRW J STEFFES	<b>CUMMINS POWER GENERATION</b> TRAILER W/BOLT-ON FENDERS
X ± 1     0.00-4.99 +0.15/-0.08 .X ± 0.8     5.00-9.99 +0.20/-0.10 .XX ± 0.38     10.00-17.49 +0.25/-0.13 .XXX ± 0.38     17.50-24.99 +0.30/-0.13	DO NOT SCALE PRINT	CRD G THOMAS	
AND TOL SCALE     DIMENSIONS FROM THE SURFACE UNLESS OTHERWISE SPECIFIED UNLESS OTHERWISE SPECIFIED, ALL DIMENSIONS ARE IN MILLIMETERS UNLESS OTHERWISE SPECIFIED, ALL DIMENSIONS ARE IN MILLIMETERS UNLESS OTHERWISE SPECIFIED, ALL DIMENSIONS ARE IN MILLIMETERS	DATE 31MAY17	APPD S NKPATKAR	SITE CODE PGF
1.0°     1/16	FOR TOLERANCES AND FITS SEE THE APPROPRIATE CUMMINS SPECIFICATION FOR TOLERANCES AND FITS SEE THE APPROPRIATE CUMMINS SPECIFICATION FOR TOLERANCES AND FITS SEE THE APPROPRIATE CUMMINS SPECIFICATION	DATE 31MAY17 C60,C80,C100	CUMMINS PART NUMBER A057P784

**Part A057P783 A**

Description	Legacy Name	External Regulations	Application Status	Release Phase Code	Security Classification	Alternates
TRAILER	A057P783	No External Regulations Apply	Production & Service	Production	Confidential	

**Part Specifications :A057P783 A**

Name	Description	Legacy Name
A030B356	SPECIFICATION,MATERIAL	CES10903
A057P784	DRAWING,ENGINEERING	A057P784

**Engineering BOM: A057P783 A Level 1**

Name	Description	Legacy Name	Find Number	Reference Designator	Quantity	Unit of Measure
A053P602	AXLE	A053P602	1		2.0	Each
A053P700	JACK,TRAILER	A053P700	2		1.0	Each
A053P590	PLATE,MOUNTING	A053P590	3		1.0	Each
A053P578	HITCH,COUPLER	A053P578	4		1.0	Each
A053P708	CONNECTOR,PLUG	A053P708	5		1.0	Each
A053P915	KIT,ACCESSORY	A053P915	6		1.0	Each
A053P555	RELIEF,STRAIN	A053P555	7		1.0	Each
A053P553	NUT,LOCK	A053P553	8		1.0	Each
A053P564	DOCUMENT HOLDER	A053P564	9		1.0	Each
A053R290	LAMP	A053R290	10		2.0	Each
A053R292	LAMP	A053R292	11		2.0	Each
A053P769	CONNECTOR,PLUG	A053P769	12		4.0	Each
A053P545	LIGHT,TAIL	A053P545	13		2.0	Each
A053P416	GROMMET,RUBBER	A053P416	14		2.0	Each
A053P547	CONNECTOR,PLUG	A053P547	15		2.0	Each
A053P549	HOUSING,LAMP	A053P549	16		1.0	Each
A057R876	FENDER,TRAILER	A057R876	17		2.0	Each
A053P567	CHAIN,SAFETY	A053P567	18		1.0	Each
A053P569	CHAIN,SAFETY	A053P569	19		1.0	Each
A053P580	CHAIN,SAFETY	A053P580	20		2.0	Each
A053P562	CLEVIS	A053P562	21		2.0	Each
A053P595	RIM	A053P595	22		4.0	Each
A053P270	HOOK,CHAIN,S	A053P270	23		1.0	Each
A053P674	HARNES,WIRING	A053P674	24		1.0	Each
A053P727	PAINT,SPRAY	A053P727	25		1.0	Each
A053R689	LABEL	A053R689	26		1.0	Each

A054D063	BEARING	A054D063	32		0.0	Each
A054D065	SEAL,OIL	A054D065	33		0.0	Each
A054D069	HUB,WHEEL	A054D069	34		0.0	Each
A054D334	INSTALLATION,ELECTRIC BRAKE	A054D334	35		0.0	Each
A054D336	INSTALLATION,ELECTRIC BRAKE	A054D336	36		0.0	Each
A054D094	WASHER	A054D094	37		0.0	Each
A054D082	NUT,HEX JAM	A054D082	38		0.0	Each
A054D084	NUT,RETAINER	A054D084	39		0.0	Each