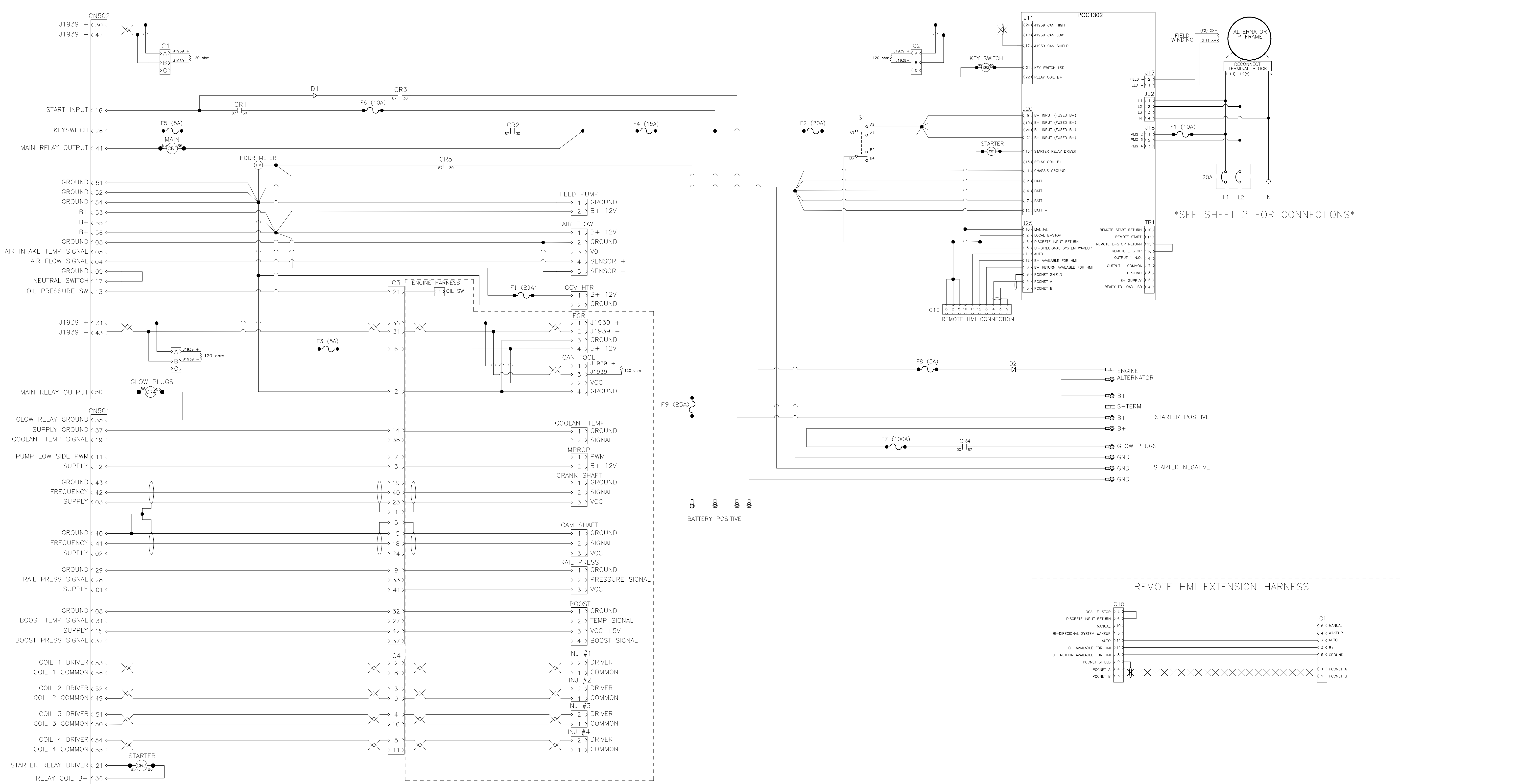


REV	REL NO	REVISION	DWN	CKD	APVD	DATE
-	2017-166	RELEASED TO PRODUCTION	DP610	HV937	HV937	02FEB17
I	2019-003	ADDED REMOTE HMI CONNECTION. ADDED SHEET 2 FOR CUSTOMER CONNECTION VIEWS.	HV937	HV937	HV937	04JAN19
J	2019-201	REMOVED L2 AND ADDED L3 ON SINGLE PHASE 12 LEAD GEN.	DZ710	HV937	HV937	24APR19



\*SEE SHEET 2 FOR CONNECTIONS\*



DIMENSIONS ARE IN: INCHES ( ) ARE IN: MILLIMETERS DIMENSION TOLERANCES XXX: ±0.0000 OR 2.3mm XXXX: ±0.0000 OR 0.76mm XXXX: ±0.0150 OR 0.381mm ANGULAR TOLERANCE: 1°	<b>DO NOT SCALE PRINT</b> SCALE 1.00	OEM DATA CLASSIFICATION Cummins Confidential	DWN: DP610 CKD: HV937 APVD: HV937 DATE: 02 FEB 2017	<b>Cummins Inc.</b> ITEM NAME SCHEMATIC, OVERALL COMMERCIAL MOBILE 20/25KW ITEM NUMBER A042F537 ACAD SHEET 1 OF 2
---	---	---	--	--

REV	REL NO	REVISION	DWN	CKD	APVD	DATE
-	2017-166	RELEASED TO PRODUCTION	DP610	HV937	HV937	02FEB17
I	2019-003	SEE SHEET 1 FOR LATEST REVISION	HV937	HV937	HV937	04JAN19
J	2019-201	SEE SHEET 1 FOR LATEST REVISION	DZ710	HV937	HV937	24APR19

12 LEAD GENERATOR

4 LEAD GENERATOR

3 PHASE

1 PHASE

1 PHASE

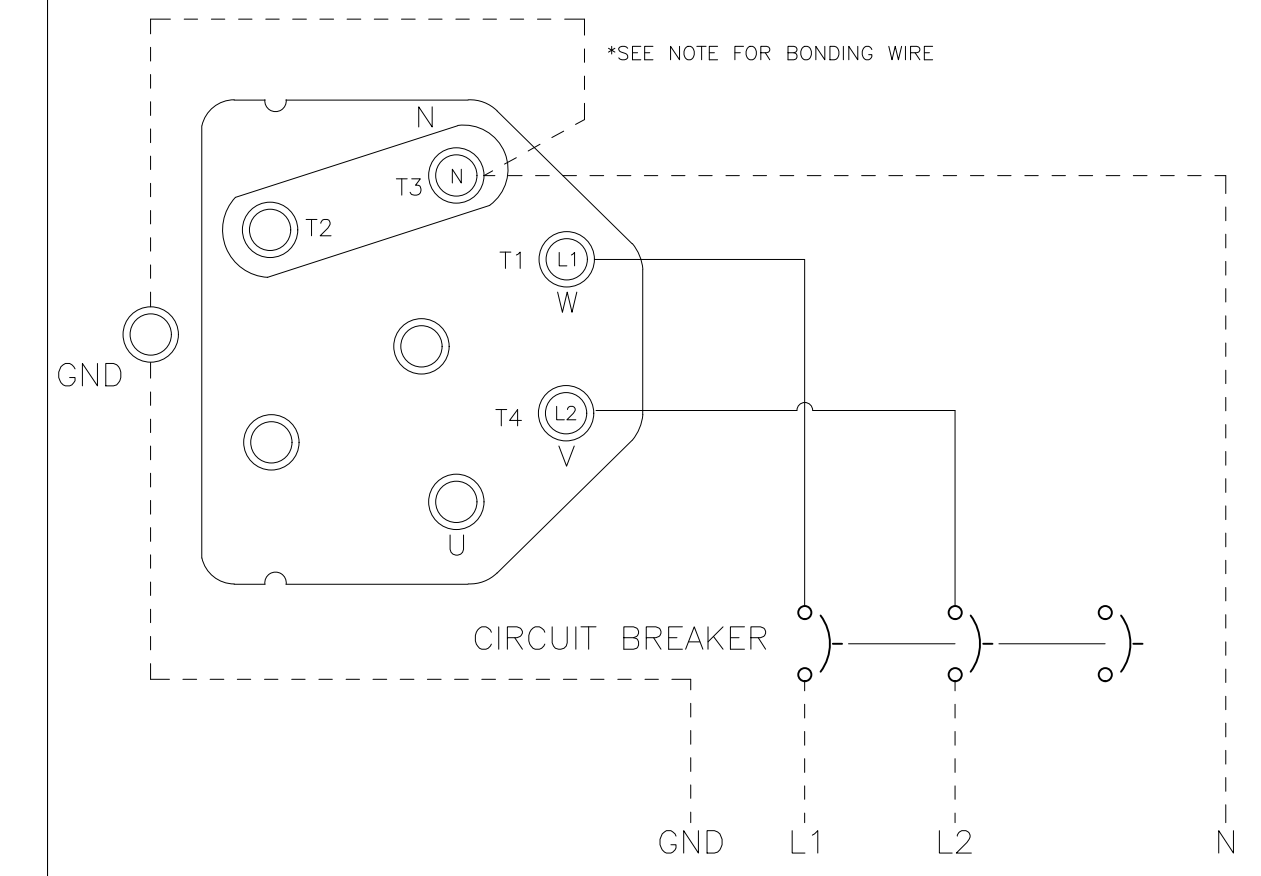
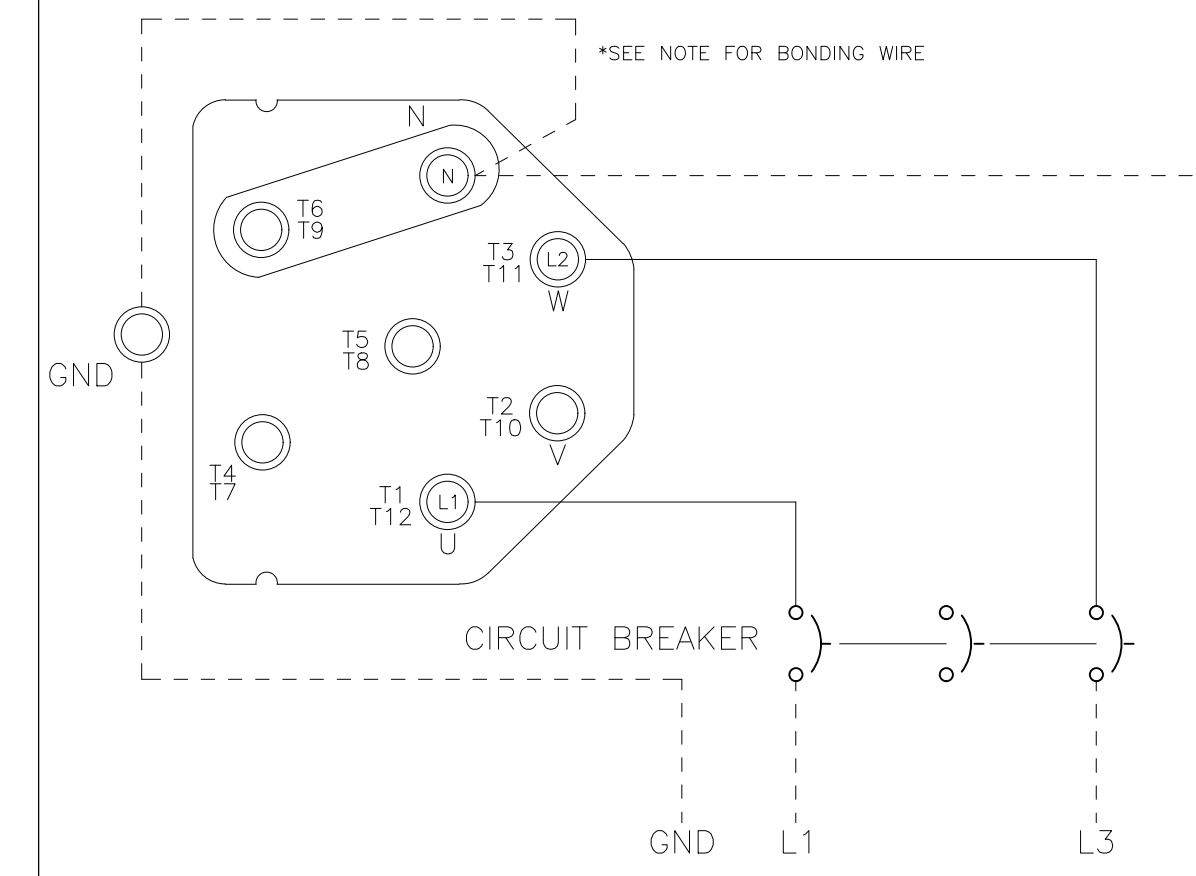
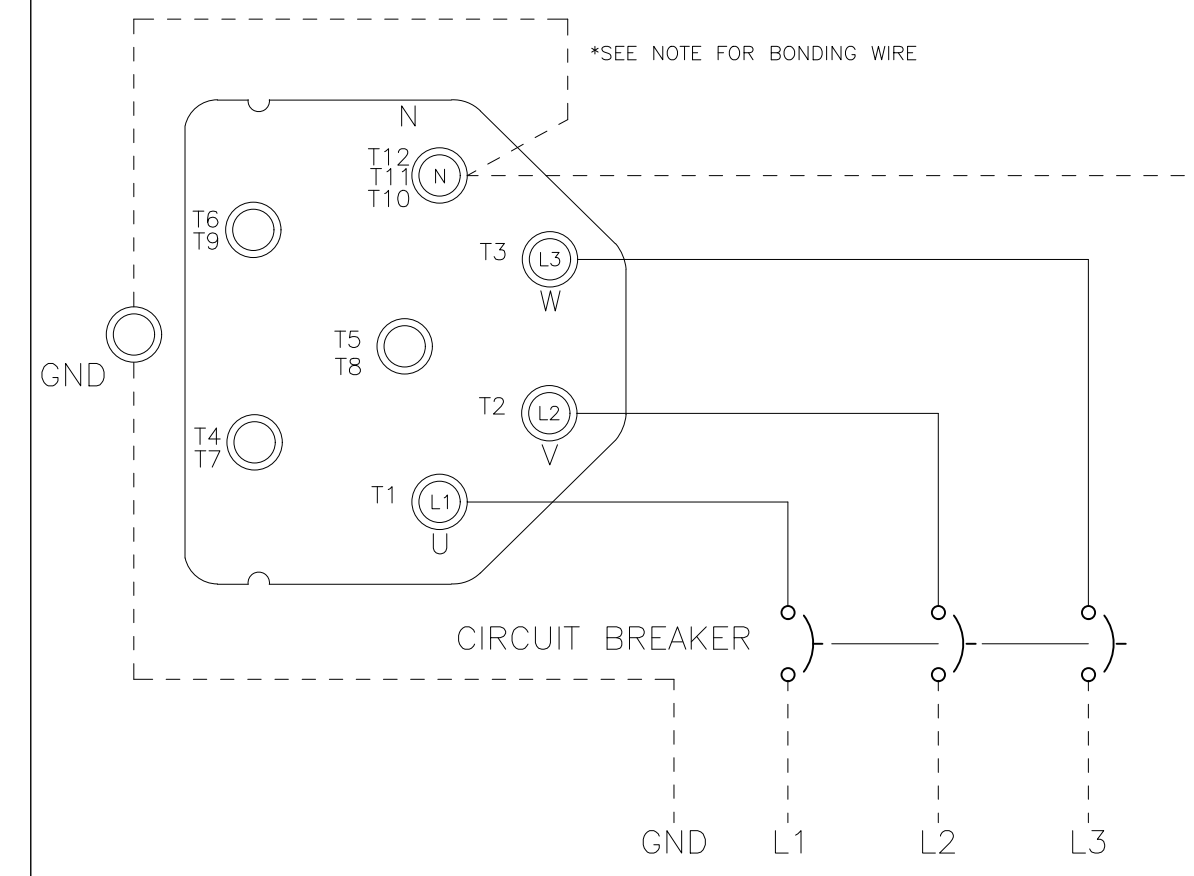
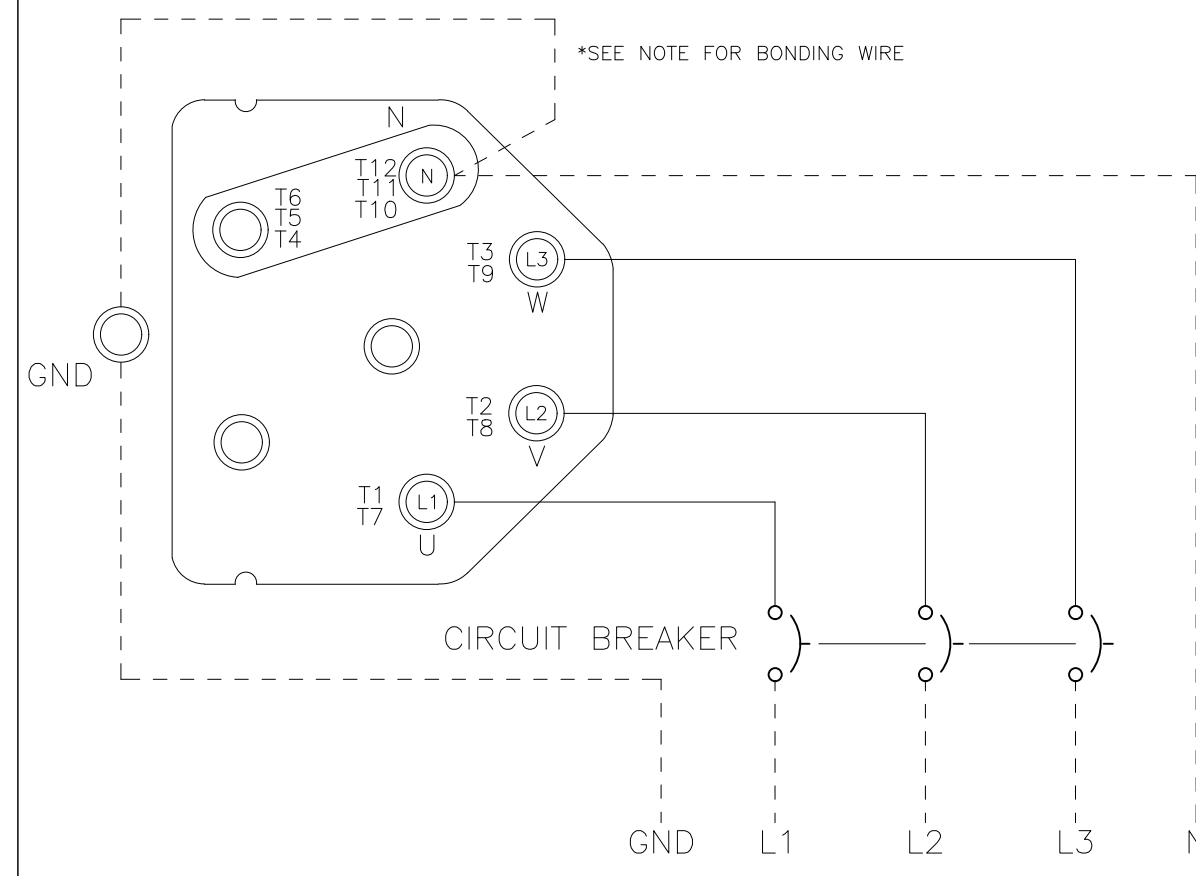
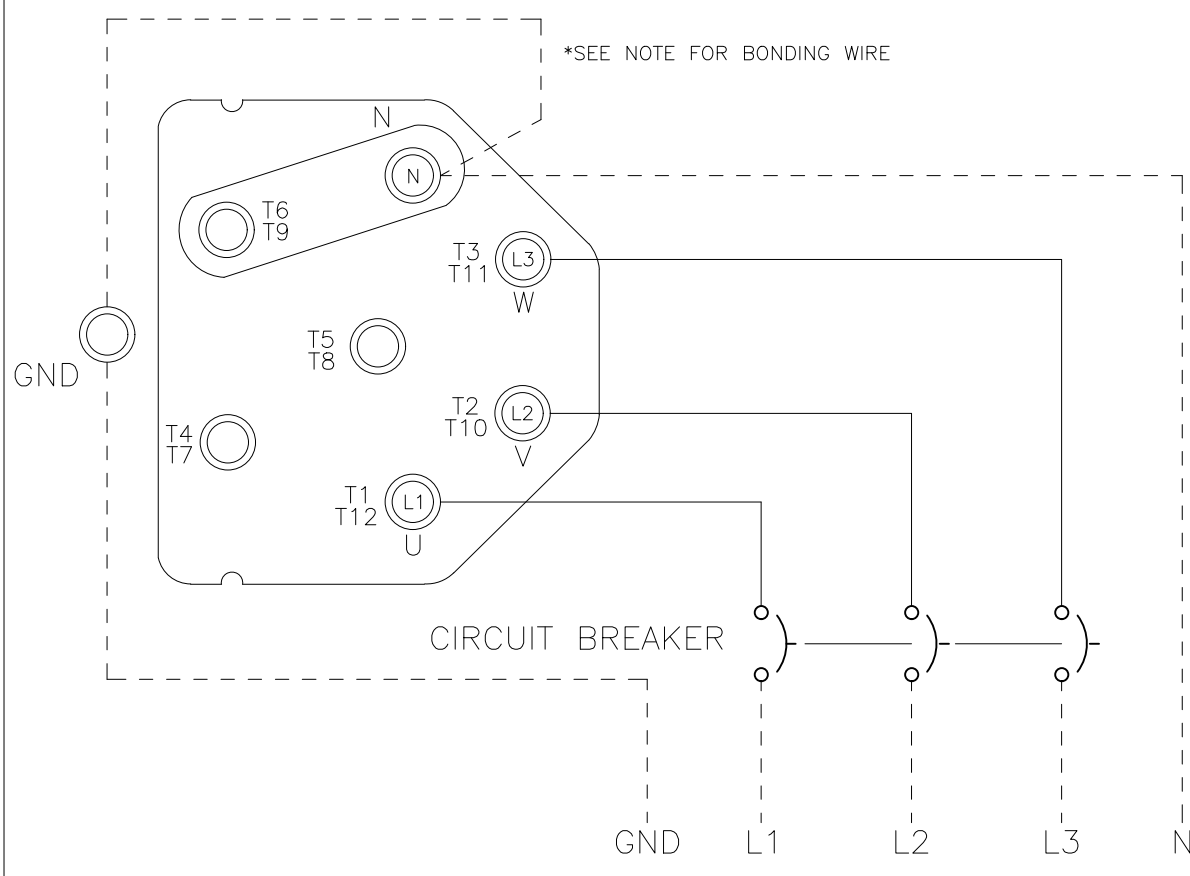
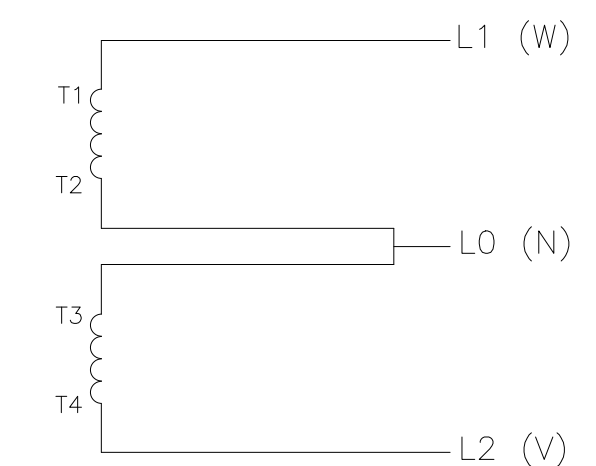
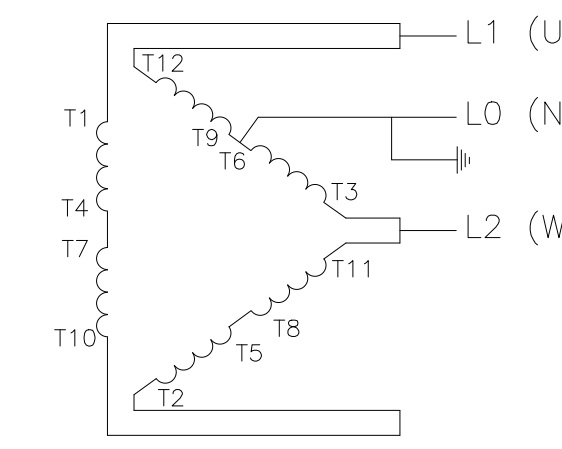
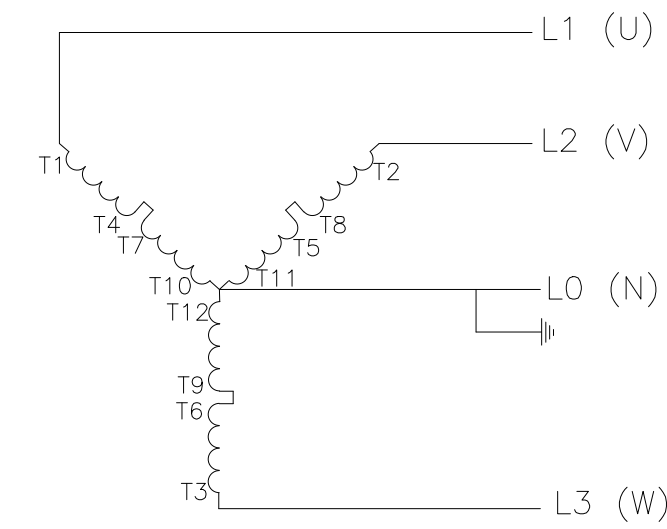
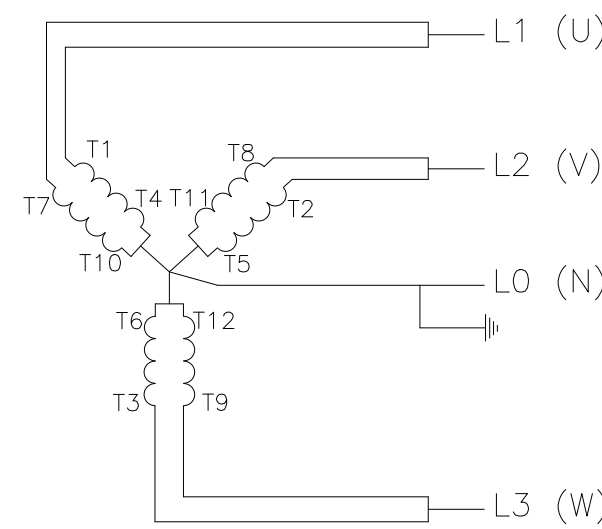
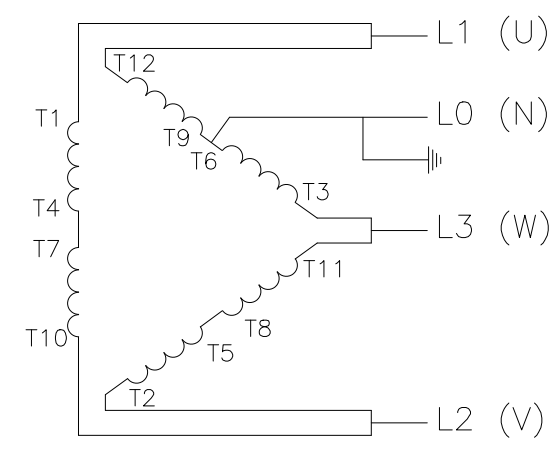
240 VOLTS L-L  
120 VOLTS L-N

208 VOLTS L-L  
120 VOLTS L-N

480 VOLTS L-L  
277 VOLTS L-N

240 VOLTS L-L  
120 VOLTS L-N

240 VOLTS L-L  
120 VOLTS L-N



DASHED LINES = CUSTOMER CONNECTIONS

DASHED LINES = CUSTOMER CONNECTIONS

DASHED LINES = CUSTOMER CONNECTIONS

DASHED LINES = CUSTOMER CONNECTIONS

DASHED LINES = CUSTOMER CONNECTIONS

NOTES: 1) BOND THE NEUTRAL WIRE IN ACCORDANCE WITH THE NEC.

DIMENSIONS ARE IN: INCHES		DO NOT SCALE PRINT		CUMMINS DATA CLASSIFICATION Cummins Confidential		ITEM NAME	
1:1 ARE IN:		SCALE 1:00		DWN: OP610		SCHEMATIC, OVERALL	
DIMENSION TOLERANCES		XXX: ±0.0008 OR 2.3mm		CKD: HV937		COMMERCIAL MOBILE 20/25KW	
XXX: ±0.0030 OR 0.76mm		XXX: ±0.0150 OR 0.381mm		APVD: HV937		ITEM NUMBER	
ANGULAR TOLERANCE: 1°		DATE: 02 FEB 2017		FOR INTERPRETATION OF DIMENSIONS AND TOLERANCING, SEE ASME Y14.2-2009		A042F537	
THIS DOCUMENT AND THE INFORMATION SHOWN THEREIN IS CONFIDENTIAL AND PROPRIETARY TO CUMMINS INC. IT IS TO BE KEPT IN CONFIDENCE AND NOT TO BE REPRODUCED OR TRANSMITTED IN ANY MANNER OR BY ANY MEANS, IN ANY FORM OR BY ANY MEANS, WITHOUT THE WRITTEN CONSENT OF CUMMINS INC.		MUST CONFORM TO CES 10903		DATE: 02 FEB 2017		ACAD SHEET	
						2 OF 2	