

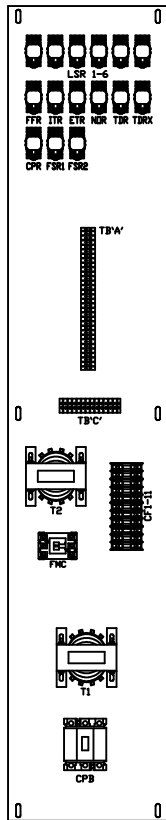
- LOAD BANK WIRING COLOR CODED AS FOLLOWS:
- ALL AC CONTROL WIRE:
    - LINE - BLACK
    - COMMON/NEUTRAL - WHITE
  - COIL JUMPERS:
    - LINE - RED
    - COMMON/NEUTRAL - BLUE
  - ALL AC POWER WIRING:
    - A PHASE, LINE 1 - BLACK
    - B PHASE, LINE 2 - RED
    - C PHASE, LINE 3 - BLUE
  - ALL DC CONTROL WIRING:
    - POSITIVE - RED WITH A WHITE STRIPE
    - NEGATIVE - BLACK WITH A WHITE STRIPE
  - ALL DC POWER WIRING:
    - POSITIVE - RED WITH YELLOW TAPED END
    - NEGATIVE - BLACK WITH YELLOW TAPED END
  - ALL WIRES ATTACHED TO LOAD BANK GROUND - GREEN
  - ALL LOAD STRAPPING - WHITE

- NOTES:
1. UNIT MUST BE GROUNDED FOR OPERATOR'S SAFETY.
  2. DASHED LINES INDICATE WIRES NOT SUPPLIED BY SIMPLEX.
  3. ALL CONTROL WIRE - #16AWG, 60°C, EXCEPT WHERE NOTED.

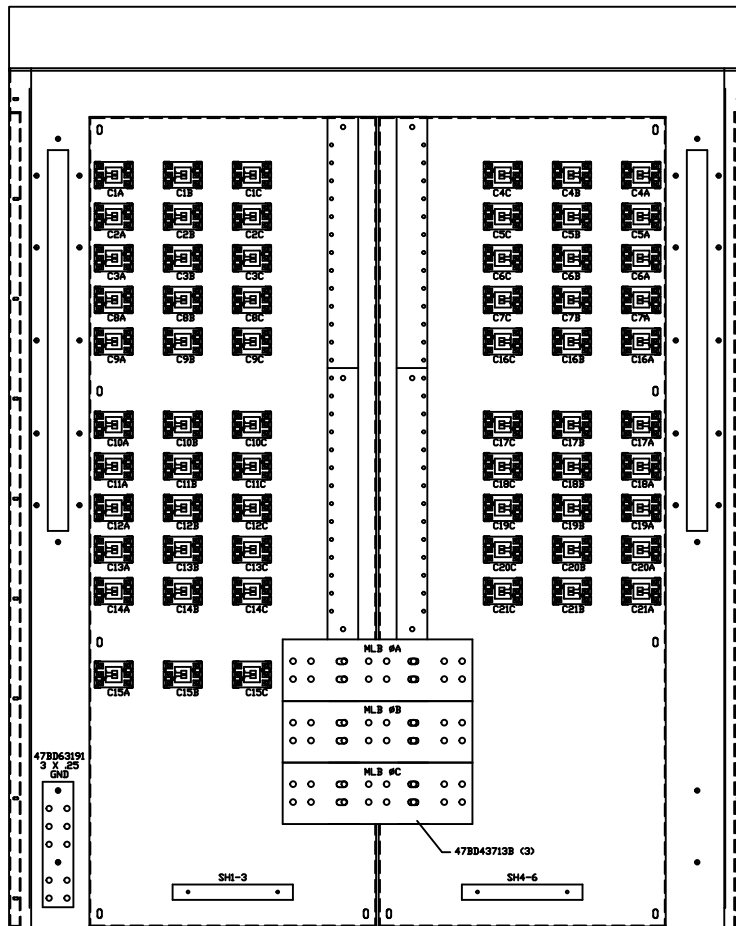
DISK S/N: 3514	
A WAS 480V CONTROL POWER	DRAWN BY: DMT
	DATE: 2/25/97
<b>SIMPLEX</b>	
SPRINGFIELD, ILLINOIS	
SCALE:	APPROVED BY:
DATE: 2/18/97	DRAWN BY: ADR
	REVISED: 0
INDUCTIVE LOAD BANK 1575KVAR, 480V, 3ϕ, 50/60HZ	SATURN 1575 KVAR CONTROL SECTION 1 OF 2
W.O. #27080-97-43	DRAWING NUMBER 47883351A

THE INFORMATION HEREON IS THE PROPERTY OF SIMPLEX, INC., AND/OR ITS SUBSIDIARIES. WITHOUT WRITTEN PERMISSION ANY COPYING, TRANSMITTAL TO OTHERS AND USE EXCEPT THAT FOR WHICH IT IS LOANED IS PROHIBITED.



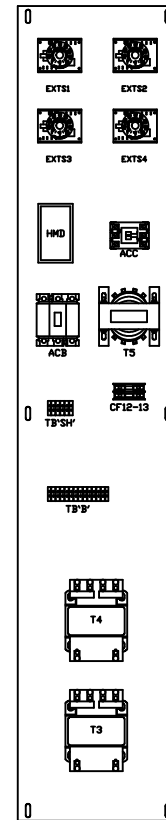


LEFT SIDE SUBPANEL

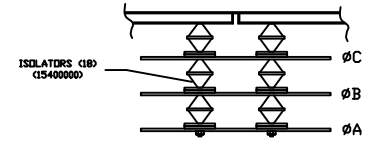


LEFT SUBPANEL

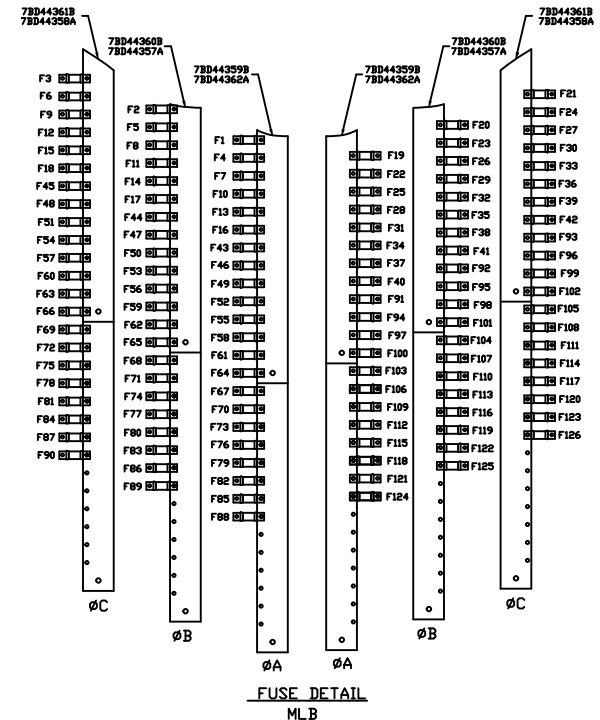
RIGHT SUBPANEL



RIGHT SIDE SUBPANEL



BUS STACK DETAIL



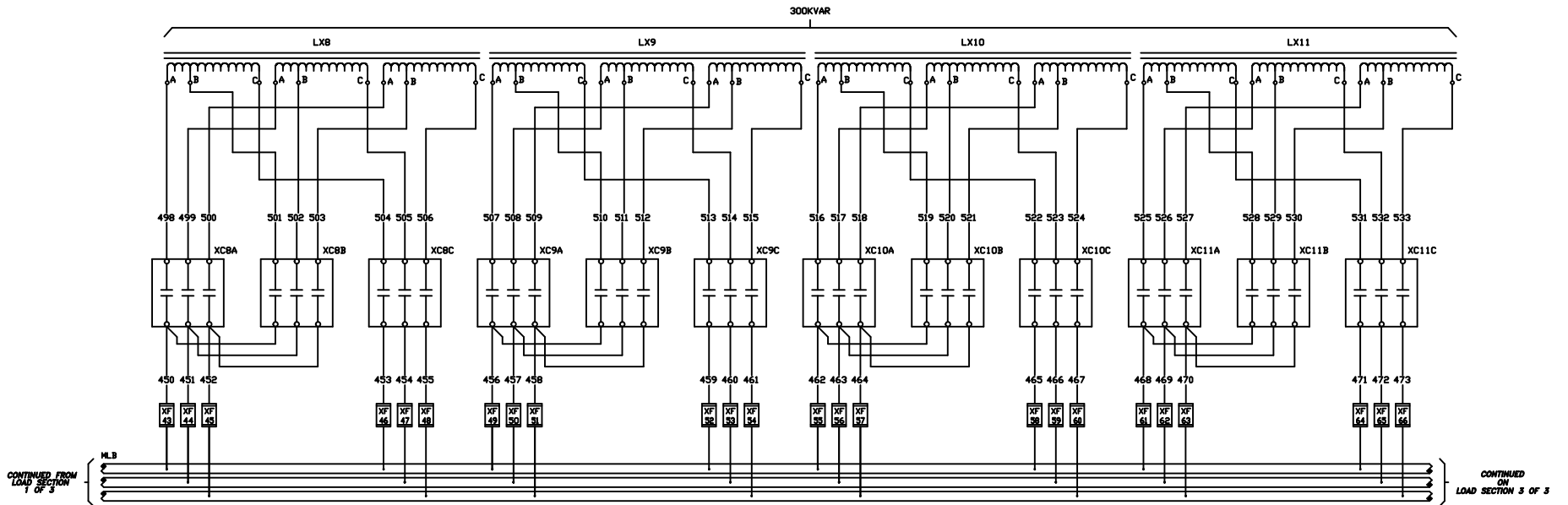
FUSE DETAIL  
MLB

DISK S/N: 3514

<b>SIMPLEX</b>		SPRINGFIELD, ILLINOIS
SCALE:	APPROVED BY:	DRAWN BY: ADR
DATE: 2/20/97		REV: 0
RESISTIVE LOAD BANK 1575KVAR, 480V, 3Ø, 50/60HZ		SATURN 1575 KVAR SUBPANEL LAYOUT
W.O.# 26976-97-43		DRAWING NUMBER 47BD83365

THE INFORMATION HEREON IS THE PROPERTY OF SIMPLEX, INC., AND/OR ITS SUBSIDIARIES. WITHOUT WRITTEN PERMISSION ANY COPYING, TRANSMITTAL TO OTHERS AND USE EXCEPT THAT FOR WHICH IT IS LOANED IS PROHIBITED.





CONTINUED FROM  
LOAD SECTION  
1 OF 3

CONTINUED  
ON  
LOAD SECTION 3 OF 3

NOTES:

1. UNIT MUST BE GROUNDED FOR OPERATOR'S SAFETY.
2. DASHED LINES INDICATE WIRES NOT SUPPLIED BY SIMPLEX.
3. INTERNAL LOAD BANK LOAD WIRE #8 AWG, 150°C, EXCEPT WHERE NOTED

LOAD BANK WIRING COLOR CODED AS FOLLOWS:

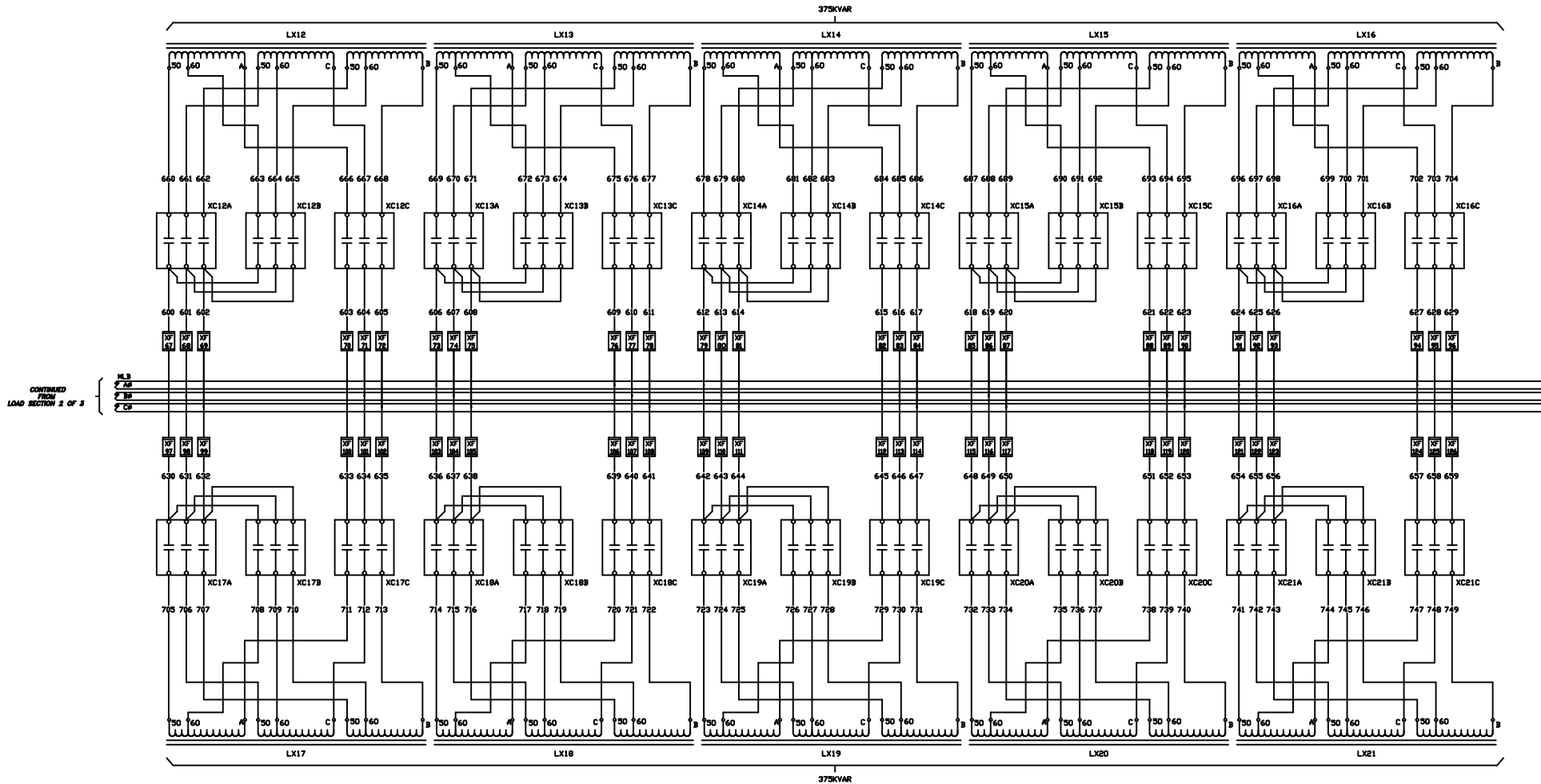
- ALL AC CONTROL WIRE:  
 LINE - BLACK  
 COMMON/NEUTRAL - WHITE  
 COIL JUMPERS:  
 LINE - RED  
 COMMON/NEUTRAL - BLUE
- ALL AC POWER WIRING:  
 A PHASE, LINE 1 - BLACK  
 B PHASE, LINE 2 - RED  
 C PHASE, LINE 3 - BLUE
- ALL DC CONTROL WIRING:  
 POSITIVE - RED WITH A WHITE STRIPE  
 NEGATIVE - BLACK WITH A WHITE STRIPE
- ALL DC POWER WIRING:  
 POSITIVE - RED WITH YELLOW TAPED END  
 NEGATIVE - BLACK WITH YELLOW TAPED END  
 ALL WIRES ATTACHED TO LOAD BANK GROUND - GREEN  
 ALL LOAD STRAPPING - WHITE

DISK S/N: 3514

<b>SIMPLEX</b>		SPRINGFIELD, ILLINOIS	
		SCALE :	APPROVED BY :
DATE : 2/19/97		REVISION :	0
INDUCTIVE LOAD BANK		SATURN 1575 KVAR	
1575KVAR, 480V, 3#, 50/60HZ		IND. LOAD SEC. 2 OF 3	
W.O. #27080-97-43		DRAWING NUMBER 47883354	

THE INFORMATION HEREON IS THE PROPERTY OF SIMPLEX, INC., AND/OR ITS SUBSIDIARIES. WITHOUT WRITTEN PERMISSION ANY COPYING, TRANSMITTAL TO OTHERS AND USE EXCEPT THAT FOR WHICH IT IS LOANED IS PROHIBITED.





- NOTES:
1. UNIT MUST BE GROUNDED FOR OPERATOR'S SAFETY.
  2. DASHED LINES INDICATE WIRES NOT SUPPLIED BY SIMPLEX.
  3. INTERNAL LOAD BANK LEAD WIRE #8 AWG, 150°C, EXCEPT WHERE NOTED

- LOAD BANK WIRING COLOR CODED AS FOLLOWS:
- ALL AC CONTROL WIRING:
    - LINE - BLACK
    - COMMON/NEUTRAL - WHITE
  - COIL JUMPERS:
    - LINE - RED
    - COMMON/NEUTRAL - BLUE
  - ALL AC POWER WIRING:
    - A PHASE, LINE 1 - BLACK
    - B PHASE, LINE 2 - RED
    - C PHASE, LINE 3 - BLUE
  - ALL DC CONTROL WIRING:
    - POSITIVE - RED WITH A WHITE STRIPE
    - NEGATIVE - BLACK WITH A WHITE STRIPE
  - ALL DC POWER WIRING:
    - POSITIVE - RED WITH YELLOW TAPED END
    - NEGATIVE - BLACK WITH YELLOW TAPED END
  - ALL WIRES ATTACHED TO LOAD BANK GROUND - GREEN
  - ALL LEAD STRAPPING - WHITE

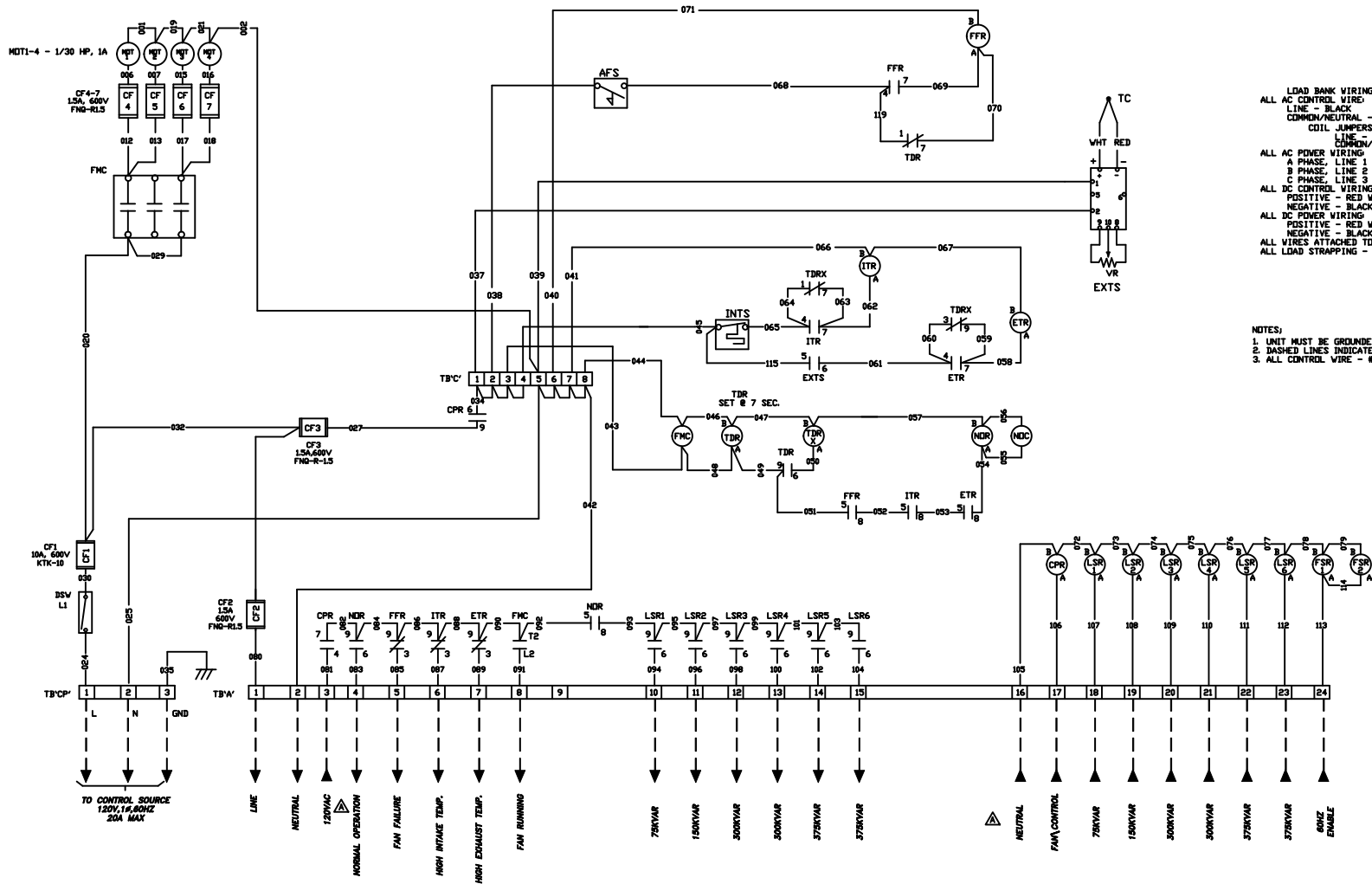
DSK S/N: 3514

A UPDATED REACTOR TERMINAL LABELS		DRAWN BY: DMT
		DATE: 3/14/97
		SPRINGFIELD, ILLINOIS
SOLE: _____	APPROVED BY: _____	DRAWN BY: ADR
DATE: 2/19/97		REVISED: 0
INDUCTIVE LOAD BANK 1575KVAR, 480V, 3#, 50/60HZ		SATURN 1575KVAR IND. LOAD SEC. 3 OF 3
W.O. #27080-97-43		DRAWING NUMBER 48883355A

THE INFORMATION HEREON IS THE PROPERTY OF SIMPLEX, INC., AND/OR ITS SUBSIDIARIES. WITHOUT WRITTEN PERMISSION ANY COPYING, TRANSMITTAL TO OTHERS AND USE EXCEPT THAT FOR WHICH IT IS LOANED IS PROHIBITED.







- LOAD BANK WIRING COLOR CODED AS FOLLOWS:
- ALL AC CONTROL WIRE:
    - LINE - BLACK
    - COMMON/NEUTRAL - WHITE
    - COIL JUMPERS:
      - LINE - RED
      - COMMON/NEUTRAL - BLUE
  - ALL AC POWER WIRING:
    - A PHASE, LINE 1 - BLACK
    - B PHASE, LINE 2 - RED
    - C PHASE, LINE 3 - BLUE
  - ALL DC CONTROL WIRING:
    - POSITIVE - RED WITH A WHITE STRIPE
    - NEGATIVE - BLACK WITH A WHITE STRIPE
  - ALL DC POWER WIRING:
    - POSITIVE - RED WITH YELLOW TAPED END
    - NEGATIVE - BLACK WITH YELLOW TAPED END
  - ALL WIRES ATTACHED TO LOAD BANK GROUND - GREEN
  - ALL LOAD STRAPPING - WHITE

- NOTES:
- UNIT MUST BE GROUNDED FOR OPERATOR'S SAFETY.
  - DASHED LINES INDICATE WIRES NOT SUPPLIED BY SIMPLEX.
  - ALL CONTROL WIRE - #16AWG, 60°C, EXCEPT WHERE NOTED.

120V, 1#, 60HZ CONTROL POWER  
120VA MAX AVAILABLE  
FUSED AT 1.5A

LOAD BANK STATUS CONTACTS  
10A CONTACTS AT 240VAC & 24VDC

LOAD BANK CONTROL INPUTS  
120V, 60HZ, 30mA PER COIL

DISK S/N: 3514

C	WAS COMMON	DRAWN BY : DMT
		DATE : 4/10/97
B	TDRX WAS TDX1	DRAWN BY : DMT
		DATE : 3/14/97
A	WAS 480V CONTROL POWER	DRAWN BY : DMT
		DATE : 2/25/97
<b>SIMPLEX</b>		SPRINGFIELD, ILLINOIS
SCALE :	APPROVED BY :	DRAWN BY : ADR
DATE : 2/18/97		REVISED : 0
INDUCTIVE LOAD BANK 1575KVAR, 480V, 3#, 50/60HZ		SATURN 1575 KVAR CONTROL SECTION 1 OF 2
W.O. #27080-97-43		DRAWING NUMBER 47B8351C

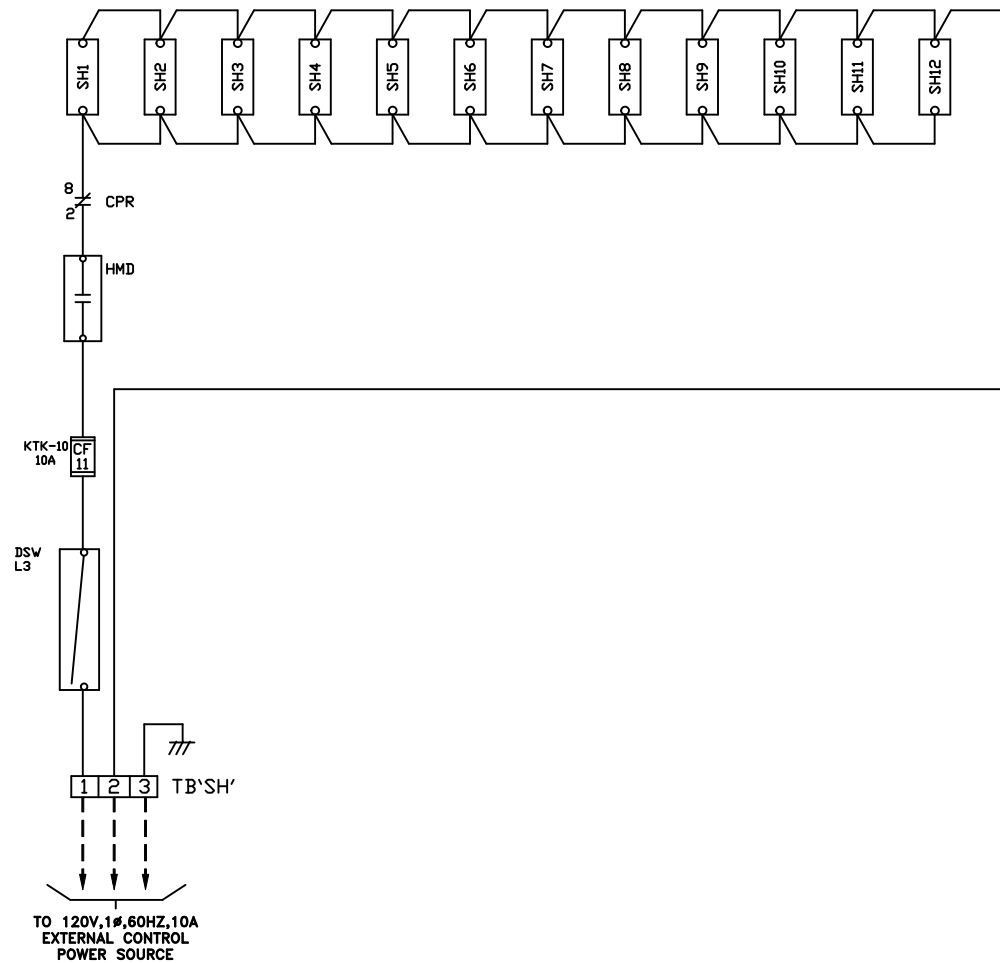
THE INFORMATION HEREON IS THE PROPERTY OF SIMPLEX, INC., AND/OR ITS SUBSIDIARIES. WITHOUT WRITTEN PERMISSION ANY COPYING, TRANSMITTAL TO OTHERS AND USE EXCEPT THAT FOR WHICH IT IS LOANED IS PROHIBITED.



LOAD BANK WIRING COLOR CODED AS FOLLOWS:  
 ALL AC CONTROL WIRE:  
 LINE - BLACK  
 COMMON/NEUTRAL - WHITE  
 COIL JUMPERS:  
 LINE - RED  
 COMMON/NEUTRAL - BLUE  
 ALL AC POWER WIRING:  
 A PHASE, LINE 1 - BLACK  
 B PHASE, LINE 2 - RED  
 C PHASE, LINE 3 - BLUE  
 ALL DC CONTROL WIRING:  
 POSITIVE - RED WITH A WHITE STRIPE  
 NEGATIVE - BLACK WITH A WHITE STRIPE  
 ALL DC POWER WIRING:  
 POSITIVE - RED WITH YELLOW TAPED END  
 NEGATIVE - BLACK WITH YELLOW TAPED END  
 ALL WIRES ATTACHED TO LOAD BANK GROUND - GREEN  
 ALL LOAD STRAPPING - WHITE

NOTES:

1. UNIT MUST BE GROUNDED FOR OPERATORS SAFETY.
2. DASHED LINES INDICATE WIRE NOT SUPPLIED BY SIMPLEX.
3. ALL CONTROL WIRE #16 AWG,105°C (EXCEPT WHERE NOTED)



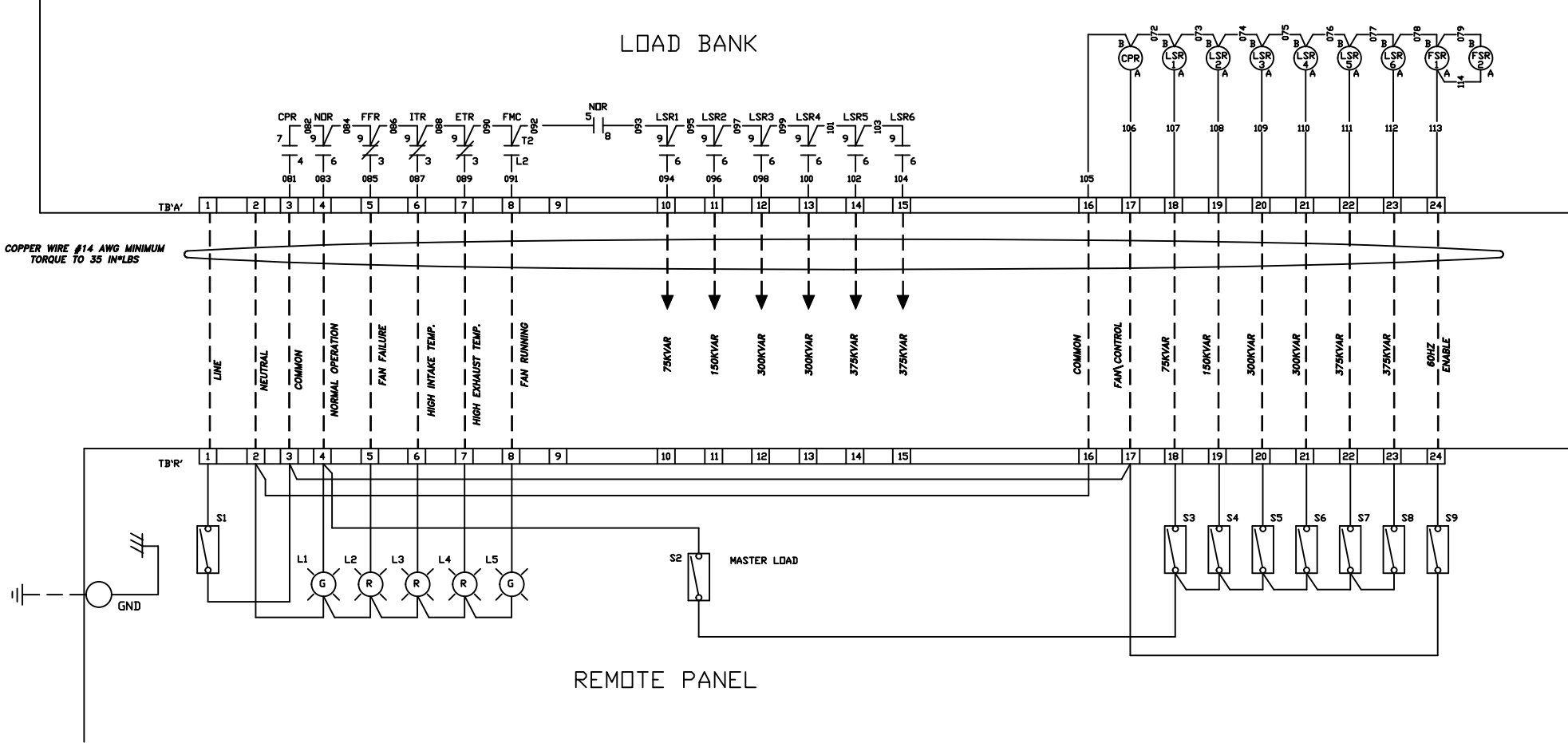
DISK S/N: 3514

A	WAS 480V 3Ø CIRCUIT	DRAWN BY: ADR
		DATE: 12/25/97
		SPRINGFIELD, ILLINOIS
		SCALE: DATE: 2/20/97
INDUCTIVE LOAD BANK 1575KVAR, 480V, 50/60HZ	APPROVED BY:	DRAWN BY: ADR
SATURN 1575KVAR ANTI CONDENSATION HEATER	REVISION: 0	
W.O. #27080-97-43	DRAWING NUMBER	47B83366A

THE INFORMATION HEREON IS THE PROPERTY OF SIMPLEX, INC., AND/OR ITS SUBSIDIARIES. WITHOUT WRITTEN PERMISSION ANY COPYING, TRANSMITTAL TO OTHERS AND USE EXCEPT THAT FOR WHICH IT IS LOANED IS PROHIBITED.



# LOAD BANK



COPPER WIRE #14 AWG MINIMUM  
TORQUE TO 35 IN\*LB

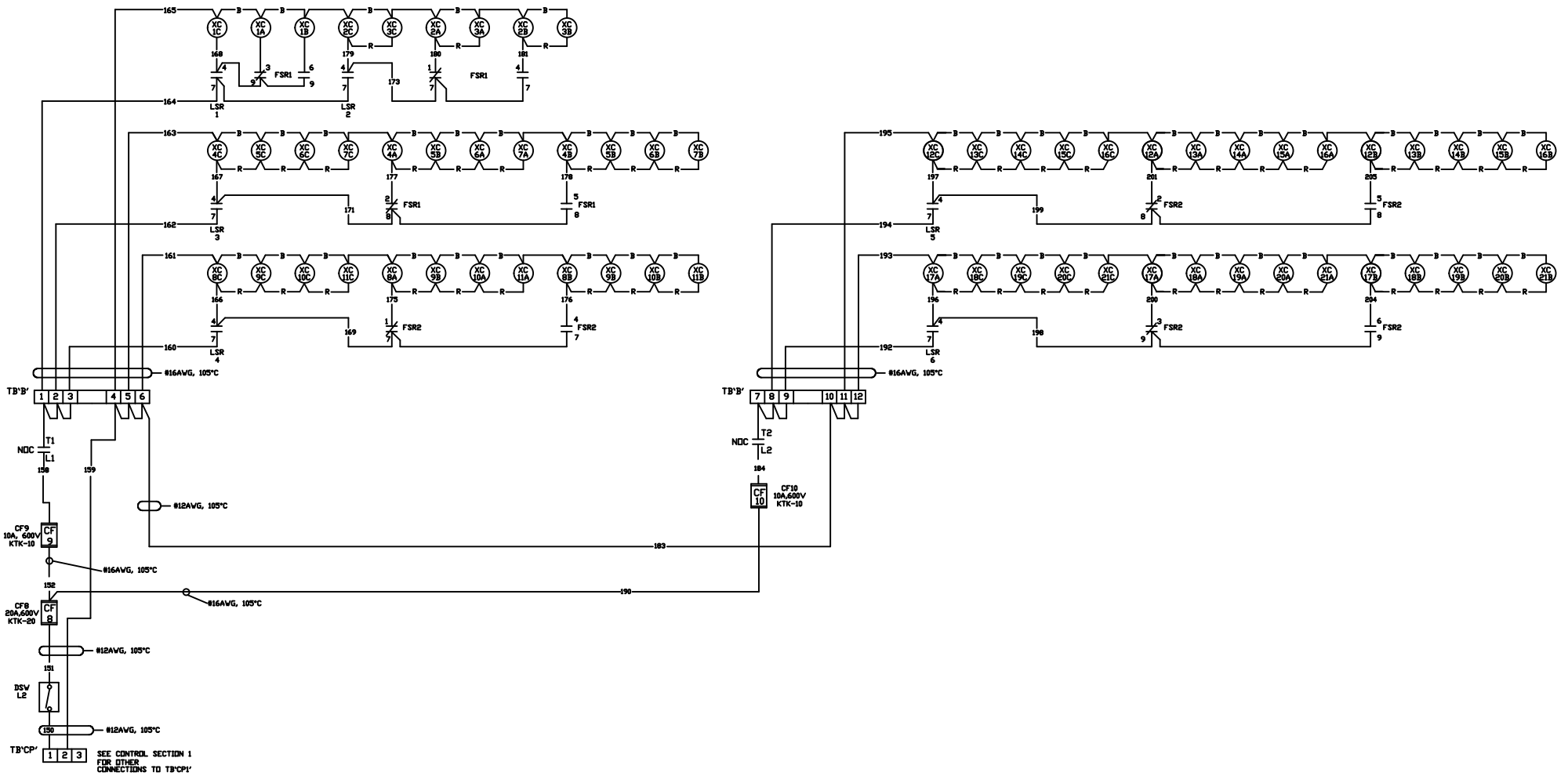
LOAD BANK WIRING COLOR CODED AS FOLLOWS:  
 ALL AC CONTROL WIRE:  
 LINE - BLACK  
 COMMON/NEUTRAL - WHITE  
 COIL JUMPERS:  
 LINE - RED  
 COMMON/NEUTRAL - BLUE  
 ALL AC POWER WIRING:  
 A PHASE, LINE 1 - BLACK  
 B PHASE, LINE 2 - RED  
 C PHASE, LINE 3 - BLUE  
 ALL DC CONTROL WIRING:  
 POSITIVE - RED WITH A WHITE STRIPE  
 NEGATIVE - BLACK WITH A WHITE STRIPE  
 ALL DC POWER WIRING:  
 POSITIVE - RED WITH YELLOW TAPED END  
 NEGATIVE - BLACK WITH YELLOW TAPED END  
 ALL WIRES ATTACHED TO LOAD BANK GROUND - GREEN  
 ALL LOAD STRAPPING - WHITE

NOTES:  
 1. UNIT MUST BE GROUNDED FOR OPERATOR'S SAFETY.  
 2. DASHED LINES INDICATE WIRES NOT SUPPLIED BY SIMPLEX.  
 3. ALL CONTROL WIRE - #16AWG,105°C; EXCEPT WHERE NOTED.

THE INFORMATION HEREON IS THE PROPERTY OF SIMPLEX, INC., AND/OR ITS SUBSIDIARIES. WITHOUT WRITTEN PERMISSION ANY COPYING, TRANSMITTAL TO OTHERS AND USE EXCEPT THAT FOR WHICH IT IS LOANED IS PROHIBITED.

		SPRINGFIELD, ILLINOIS	
		SCALE :	APPROVED BY :
DATE : 3/7/97	DRAWN BY : DMT	REVISED : 0	DISK S/N: 3514
INDUCTIVE LOAD BANK 1575KVAR, 480V, 3# 50/60HZ		SATURN 1575 KVAR REMOTE CONTROL	
W.O. #27080-97-43		DRAWING NUMBER 47883567	





NOTES:  
 1. UNIT MUST BE GROUNDED FOR OPERATOR'S SAFETY.  
 2. DASHED LINES INDICATE WIRES NOT SUPPLIED BY SIMPLEX.  
 3. ALL CONTROL WIRE #16 AVG, 105°C EXCEPT WHERE NOTED.

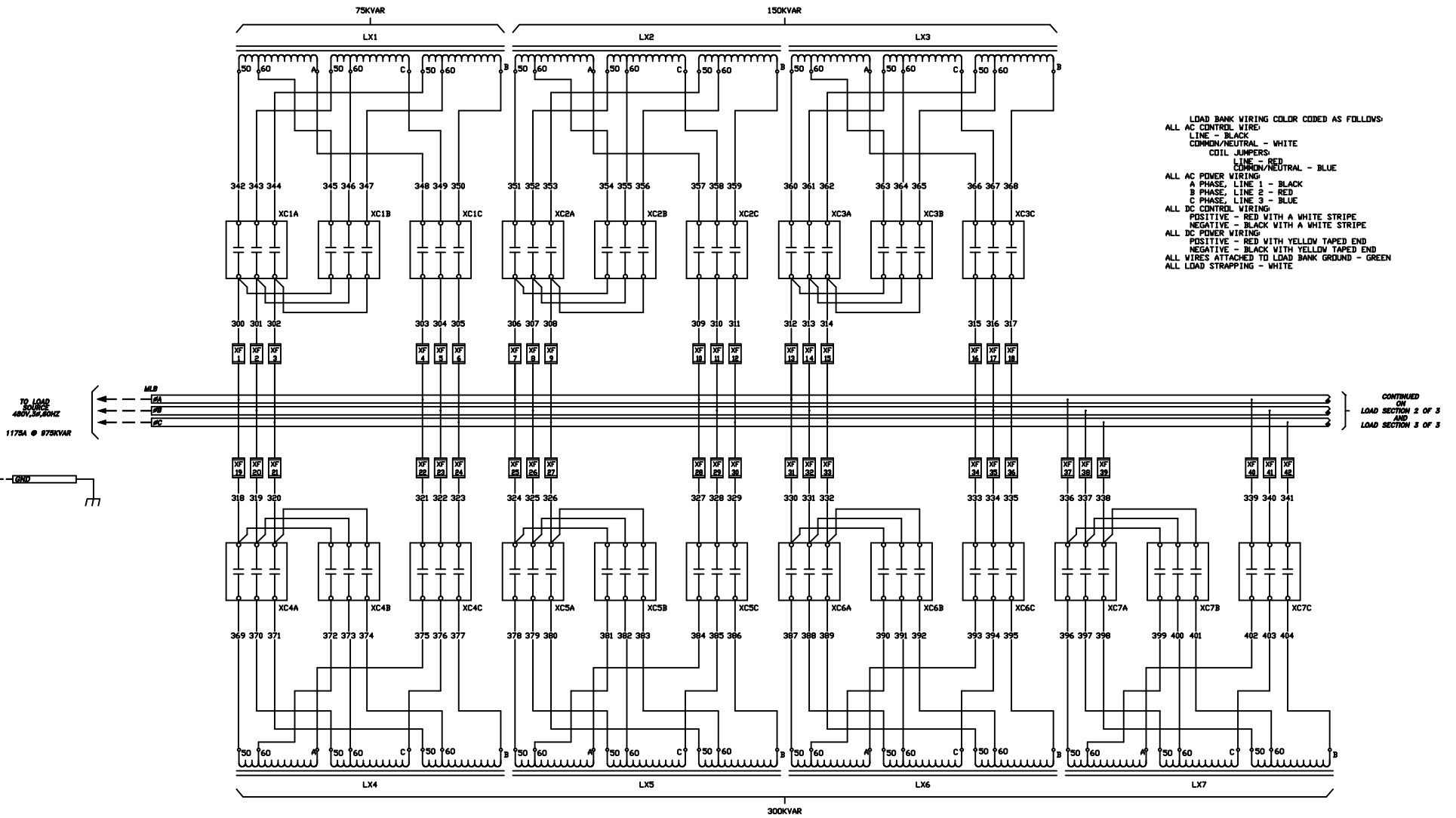
LOAD BANK WIRING COLOR CODED AS FOLLOWS:  
 ALL AC CONTROL WIRE:  
 LINE - BLACK  
 COMMON/NEUTRAL - WHITE  
 COIL JUMPERS:  
 LINE - RED  
 COMMON/NEUTRAL - BLUE  
 ALL AC POWER WIRING:  
 A PHASE, LINE 1 - BLACK  
 B PHASE, LINE 2 - RED  
 C PHASE, LINE 3 - BLUE  
 ALL DC CONTROL WIRING:  
 POSITIVE - RED WITH A WHITE STRIPE  
 NEGATIVE - BLACK WITH A WHITE STRIPE  
 ALL DC POWER WIRING:  
 POSITIVE - RED WITH YELLOW TAPED END  
 NEGATIVE - BLACK WITH YELLOW TAPED END  
 ALL WIRES ATTACHED TO LOAD BANK GROUND - GREEN  
 ALL LOAD STRAPPING - WHITE

THE INFORMATION HEREON IS THE PROPERTY OF SIMPLEX, INC., AND/OR ITS SUBSIDIARIES. WITHOUT WRITTEN PERMISSION ANY COPYING, TRANSMITTAL TO OTHERS AND USE EXCEPT THAT FOR WHICH IT IS LOANED IS PROHIBITED.

A WAS 480V CONTROL POWER		DISK S/N: 3514
DRAWN BY: DMT		DATE: 2/25/97
<b>SIMPLEX</b>		SPRINGFIELD, ILLINOIS
SCALE:	APPROVED BY:	REVISION: 0
DATE: 2/18/97	INDUCTIVE LOAD BANK	SATURN 1575 KVAR
	1575KVAR, 480V, 3#, 50/60HZ	CONTROL SECTION 2 OF 2
W.O. #27080-97-43	DRAWING NUMBER	47B83352A







LOAD BANK WIRING COLOR CODED AS FOLLOWS:  
 ALL AC CONTROL WIRE:  
 LINE - BLACK  
 COMMON/NEUTRAL - WHITE  
 COIL JUMPERS:  
 LINE - RED  
 COMMON/NEUTRAL - BLUE  
 ALL AC POWER WIRING:  
 A PHASE, LINE 1 - BLACK  
 B PHASE, LINE 2 - RED  
 C PHASE, LINE 3 - BLUE  
 ALL DC CONTROL WIRING:  
 POSITIVE - RED WITH A WHITE STRIPE  
 NEGATIVE - BLACK WITH A WHITE STRIPE  
 ALL DC POWER WIRING:  
 POSITIVE - RED WITH YELLOW TAPED END  
 NEGATIVE - BLACK WITH YELLOW TAPED END  
 ALL WIRES ATTACHED TO LOAD BANK GROUND - GREEN  
 ALL LOAD STRAPPING - WHITE

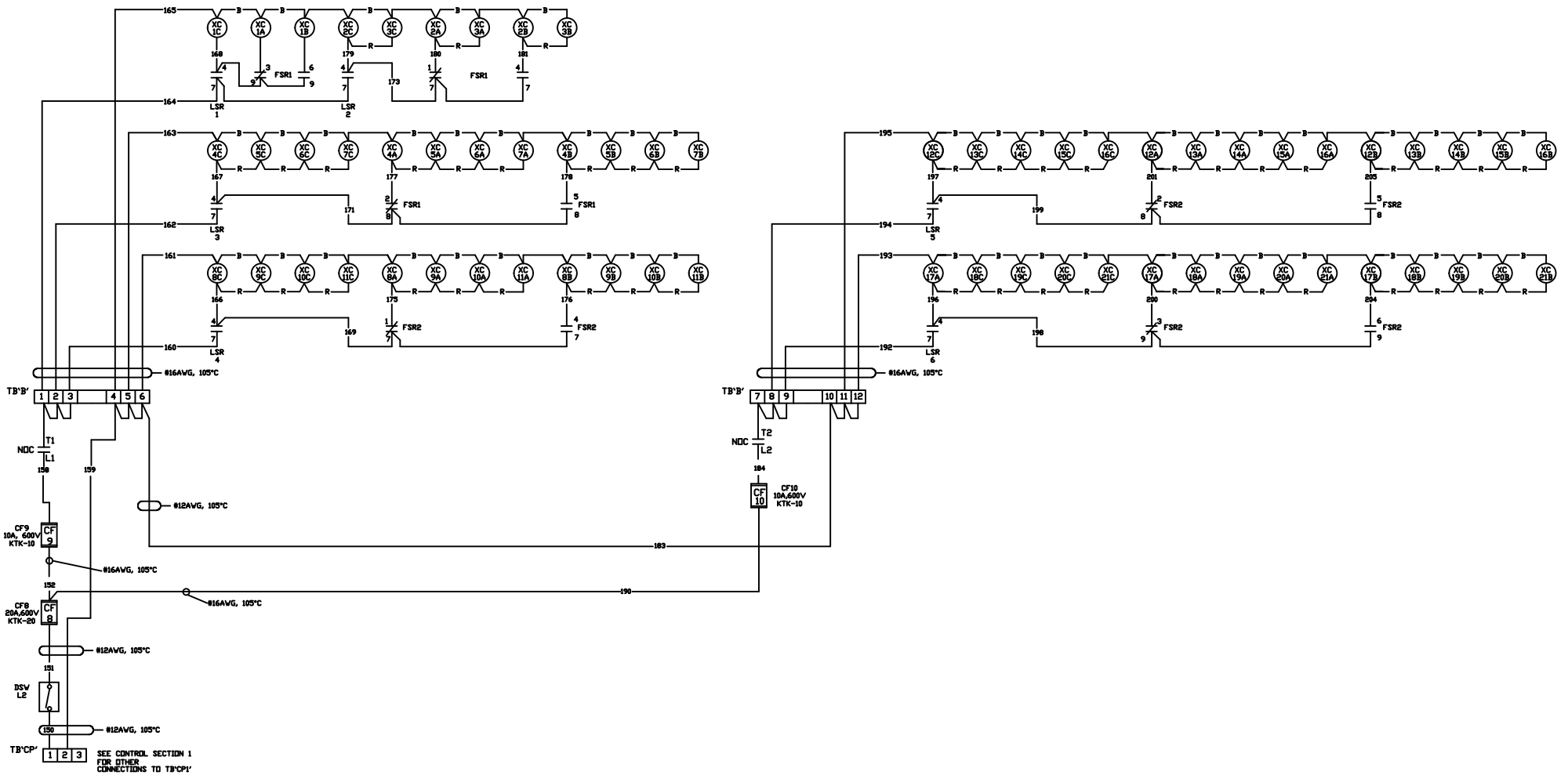
- NOTES:  
 1. UNIT MUST BE GROUNDED FOR OPERATOR'S SAFETY.  
 2. DASHED LINES INDICATE WIRES NOT SUPPLIED BY SIMPLEX.  
 3. INTERNAL LOAD BANK LOAD WIRE #8 AVG, 150°C, EXCEPT WHERE NOTED

DISK 5/H: 3514

A	UPDATED REACTOR TERMINAL LABELS	DRAWN BY: DMT
		DATE: 3/15/97
SIMPLEX		SPRINGFIELD, ILLINOIS
SCALE:	APPROVED BY:	DRAWN BY: ADR
DATE: 2/19/97		REVISED: 0
INDUCTIVE LOAD BANK		SATURN 1575 KVAR
1575KVAR, 480V, 3Φ, 50/60HZ		IND. LOAD SEC. 1 OF 3
W.O. #27080-97-43		DRAWING NUMBER: 47883353A

THE INFORMATION HEREON IS THE PROPERTY OF SIMPLEX, INC., AND/OR ITS SUBSIDIARIES. WITHOUT WRITTEN PERMISSION ANY COPYING, TRANSMITTAL TO OTHERS AND USE EXCEPT THAT FOR WHICH IT IS LOANED IS PROHIBITED.





NOTES:  
 1. UNIT MUST BE GROUNDED FOR OPERATOR'S SAFETY.  
 2. DASHED LINES INDICATE WIRES NOT SUPPLIED BY SIMPLEX.  
 3. ALL CONTROL WIRE #16 AVG, 105°C EXCEPT WHERE NOTED.

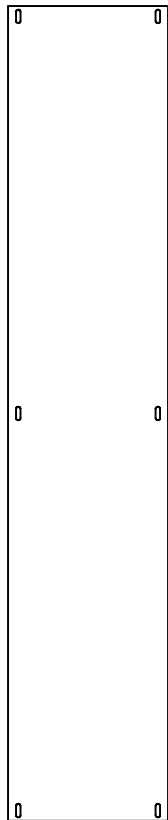
LOAD BANK WIRING COLOR CODED AS FOLLOWS:  
 ALL AC CONTROL WIRE:  
 LINE - BLACK  
 COMMON/NEUTRAL - WHITE  
 COIL JUMPERS:  
 LINE - RED  
 COMMON/NEUTRAL - BLUE  
 ALL AC POWER WIRING:  
 A PHASE, LINE 1 - BLACK  
 B PHASE, LINE 2 - RED  
 C PHASE, LINE 3 - BLUE  
 ALL DC CONTROL WIRING:  
 POSITIVE - RED WITH A WHITE STRIPE  
 NEGATIVE - BLACK WITH A WHITE STRIPE  
 ALL DC POWER WIRING:  
 POSITIVE - RED WITH YELLOW TAPED END  
 NEGATIVE - BLACK WITH YELLOW TAPED END  
 ALL WIRES ATTACHED TO LOAD BANK GROUND - GREEN  
 ALL LOAD STRAPPING - WHITE

DISK S/N: 3514

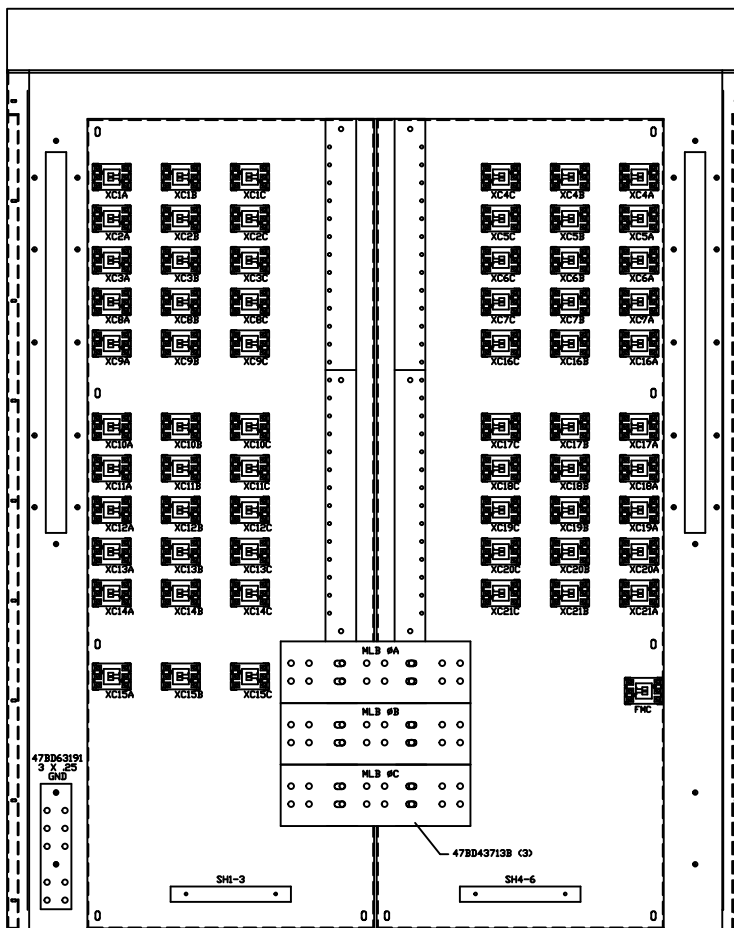
B	CORRECTED COIL LABELS	DRAWN BY: DMT
		DATE: 3/14/97
A	WAS 480V CONTROL POWER	DRAWN BY: DMT
		DATE: 2/25/97
<b>SIMPLEX</b>		SPRINGFIELD, ILLINOIS
SCALE:	APPROVED BY:	REVISION: 0
DATE: 2/18/97		
INDUCTIVE LOAD BANK SATURN 1575 KVAR		CONTROL SECTION 2 OF 2
1575KVAR, 480V, 3#, 50/60HZ		DRAWING NUMBER: 47B83352B
W.O. #27080-97-43		

THE INFORMATION HEREON IS THE PROPERTY OF SIMPLEX, INC., AND/OR ITS SUBSIDIARIES. WITHOUT WRITTEN PERMISSION ANY COPYING, TRANSMITTAL TO OTHERS AND USE EXCEPT THAT FOR WHICH IT IS LOANED IS PROHIBITED.



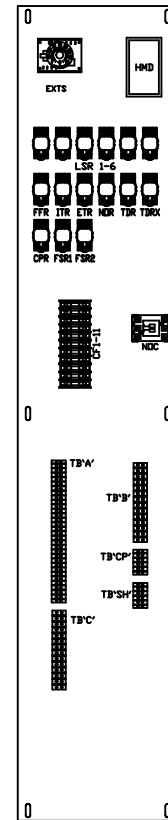


LEFT SIDE SUBPANEL

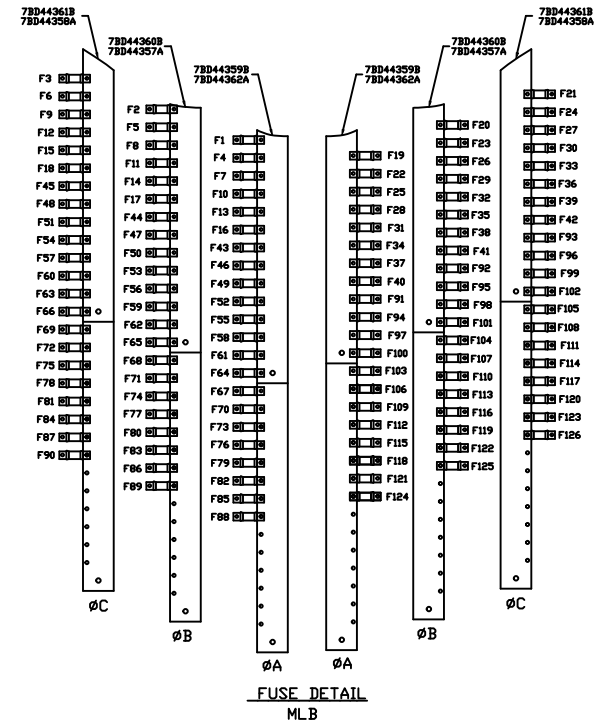
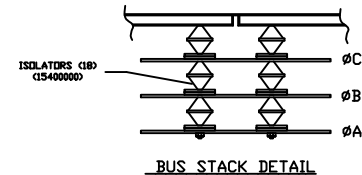


LEFT SUBPANEL

RIGHT SUBPANEL



RIGHT SIDE SUBPANEL

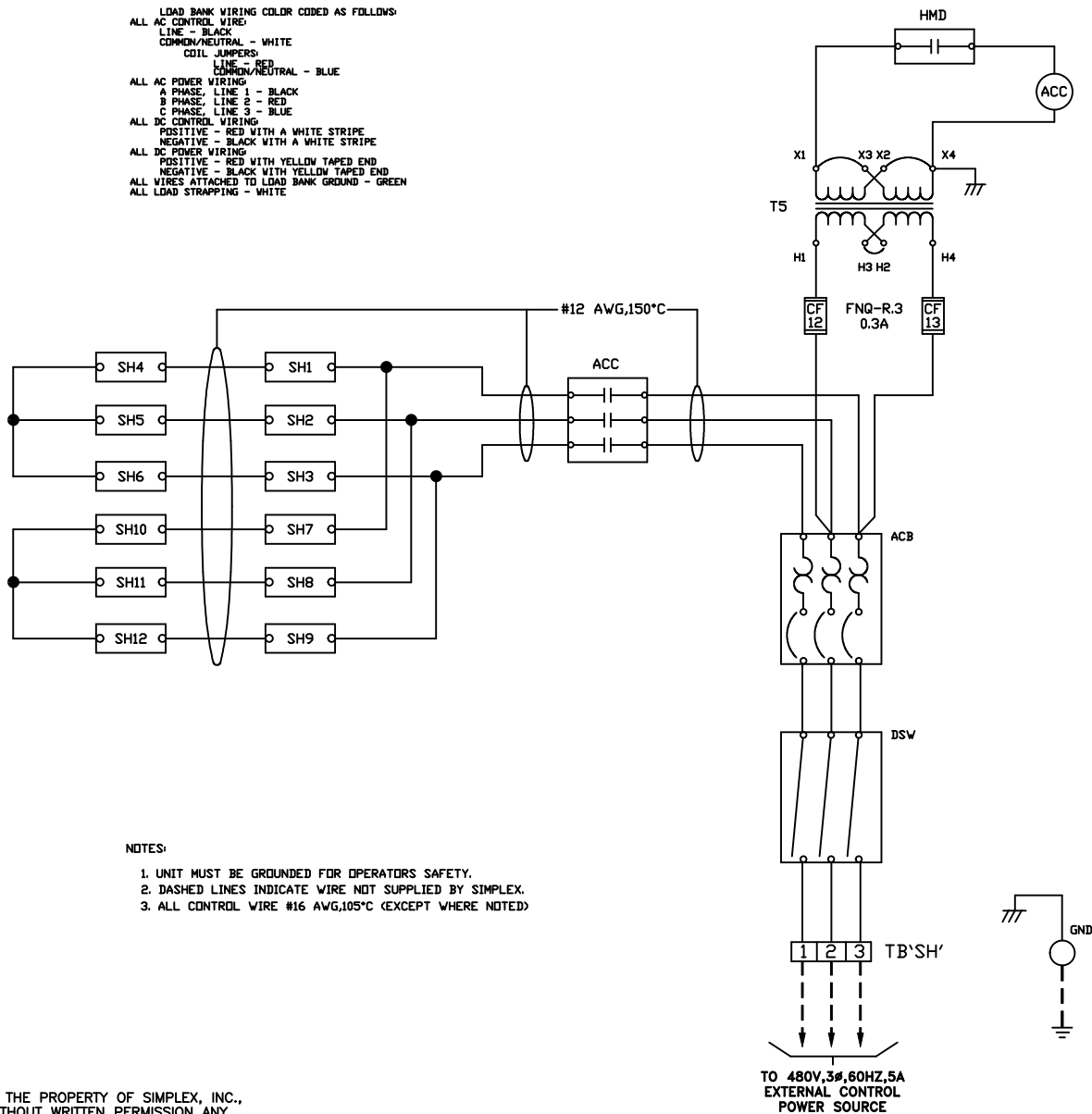


DISK 5/NE 3514	
A REMOVED TRANSFORMERS	DRAWN BY : DMT
	DATE : 2/25/97
<b>SIMPLEX</b>	
SPRINGFIELD, ILLINOIS	
SCALE:	DRAWN BY : ADR
DATE : 2/20/97	REV: 0
RESISTIVE LOAD BANK	SATURN 1575 KVAR
1575KVAR, 480V, 3Ø, 50/60HZ	SUBPANEL LAYOUT
W.O.# 27080-97-43	DRAWING NUMBER 47BD83365A

THE INFORMATION HEREON IS THE PROPERTY OF SIMPLEX, INC., AND/OR ITS SUBSIDIARIES. WITHOUT WRITTEN PERMISSION ANY COPYING, TRANSMITTAL TO OTHERS AND USE EXCEPT THAT FOR WHICH IT IS LOANED IS PROHIBITED.



LOAD BANK WIRING COLOR CODED AS FOLLOWS:  
 ALL AC CONTROL WIRE:  
 LINE - BLACK  
 COMMON/NEUTRAL - WHITE  
 COIL JUMPERS:  
 LINE - RED  
 COMMON/NEUTRAL - BLUE  
 ALL AC POWER WIRING:  
 A PHASE, LINE 1 - BLACK  
 B PHASE, LINE 2 - RED  
 C PHASE, LINE 3 - BLUE  
 ALL DC CONTROL WIRING:  
 POSITIVE - RED WITH A WHITE STRIPE  
 NEGATIVE - BLACK WITH A WHITE STRIPE  
 ALL DC POWER WIRING:  
 POSITIVE - RED WITH YELLOW TAPED END  
 NEGATIVE - BLACK WITH YELLOW TAPED END  
 ALL WIRES ATTACHED TO LOAD BANK GROUND - GREEN  
 ALL LOAD STRAPPING - WHITE



- NOTES:
1. UNIT MUST BE GROUNDED FOR OPERATORS SAFETY.
  2. DASHED LINES INDICATE WIRE NOT SUPPLIED BY SIMPLEX.
  3. ALL CONTROL WIRE #16 AWG, 105°C (EXCEPT WHERE NOTED)

DISK S/N: 3514

<b>SIMPLEX</b>		SPRINGFIELD, ILLINOIS	
		SCALE :	APPROVED BY :
DATE :	2/20/97	DRAWN BY :	ADR
INDUCTIVE LOAD BANK		SATURN 1575KVAR	
1575KVAR, 480V, 3Ø, 50/60HZ		ANTI CONDENSATION HEATER	
W.O. #27080-97-43		DRAWING NUMBER 47883366	

THE INFORMATION HEREON IS THE PROPERTY OF SIMPLEX, INC., AND/OR ITS SUBSIDIARIES. WITHOUT WRITTEN PERMISSION ANY COPYING, TRANSMITTAL TO OTHERS AND USE EXCEPT THAT FOR WHICH IT IS LOANED IS PROHIBITED.





ITEM	QTY	PART #	DESIG	DESCRIPTION
1	21	-----	LX1-21	LOAD REACTORS, 75KVAR 480V, 50HZ TAPPED @ 60HZ 3 PHASE
2	2	13013100	FMC, NDC	CONTACTOR 35A, 600V, 3POLE 120VAC CDIL
3	63	13021500	XC1A-21A XC1B-21B XC1C-21C	CONTACTOR 65A, 600V, 3POLE 120VACXCDIL
4	4	14044000	CF1 CF9-11	FUSE 10A, 600V, 100KAIC
5	4	14004000	CF4-7	FUSE 1A, 600V, 200KAIC
6	2	14009000	CF2-3	FUSE 1.5A, 600V, 200KAIC
7	1	14058000	CF8	FUSE 20A, 600V, 100KAIC
8	126	14086000	F1-126	FUSE 70A, 600V, 200KAIC
9	1	15011500	[CF10-11]	FUSEBLOCK 30A, 600V, 2 POLE
10	3	15012500	[CF1-9]	FUSEBLOCK 30A, 600V, 3 POLE
11	4	-----	MOT1-4	FAN/SHUTTER ASSY 120V MOTOR GRAINGER 2C710
12	2	25663700	TB' SH' TB' CP'	TERMINAL BLOCK 30A, 300V, 3 LINE,
13	2	25670000	TB' B, C'	TERMINAL BLOCK 30A, 300V, 12 LINE,
14	1	25673000	TB' A'	TERMINAL BLOCK 30A, 300V, 24 LINE,
15	14	24771000	CPR, ITR, ETR LSR1-6, FFR NDR, FSR1-2, TDRX	GENL PURPOSE RELAY 10A, 3PDT, 120VAC CDIL
16	15	24891000	[SEE ITEM] [15, 21]	RELAY BASE 11 PIN SCREW TRM 300V, 10A
17	1	25289500	AFS	SAIL SWITCH 5A @ 120V
18	1	25309650	INTS	INTAKE TEMP SWITCH SPST, OPENS @ 120 DEG F

ITEM	QTY	PART #	DESIG	DESCRIPTION
19	1	25309560	EXTS	EXHAUST TEMP SWITCH OPENS @ 75 DEG F ABOVE NORMAL OPERATING TEMP
20	1	25512400	TC	THERMOCOUPLE, TYPE J (FOR EXTS)
21	1	50011300	TDR	TIME DELAY RELAY, DPDT, INTERNAL ADJUSTMENT, 120VAC, 0-30 SECONDS
22	1	25317000	DSW	DISCONNECT SWITCH 40A, 600V, 20HP-480V
23	12	24338000	SH1-12	STRIP HEATER 350W @ 240V DP @ 117W @ 139V
24	1	25242950	HMD	HUMIDISTAT 20-80% RH
25	18	15400000		ISOLATOR, 600V, 2.75'
26	3	47BD43713B	[MLB]	BUS BAR JUMPER COPPER BAR TIN PLATED 1/4" X 6" X 18.5'
27	1	-----	MLB	MAIN LOAD BUS COPPER BAR TIN PLATED (2) 1/4" X 3" X 32.5 A PH (2) 1/4" X 3" X 57" A PH (2) 1/4" X 3" X 38.5" B PH (2) 1/4" X 3" X 63" B PH (2) 1/4" X 3" X 44.5 C PH (2) 1/4" X 3" X 69 C PH
28	1	47BD63191	[MLB]	BUS BAR GND COPPER BAR TIN PLATED 1/4" X 3" X 12.250'






DISK S/N: 3514

A UPDATED LEGEND		DRAWN BY : DMT	
		DATE : 2/25/97	
<b>SIMPLX</b>		SPRINGFIELD, ILLINOIS	
SCALE :	APPROVED BY :	DRAWN BY : ADR	
DATE : 2/20/97		REVISED :	
INDUCTIVE LOAD BANK 1575KVAR, 480V, 3Ø, 50/60HZ		SATURN 1575 KVAR PARTS LEGEND	
W.O. #27080-97-43		DRAWING NUMBER 47B83367A	

THE INFORMATION HEREON IS THE PROPERTY OF SIMPLEX, INC., AND/OR ITS SUBSIDIARIES. WITHOUT WRITTEN PERMISSION ANY COPYING, TRANSMITTAL TO OTHERS AND USE EXCEPT THAT FOR WHICH IT IS LOANED IS PROHIBITED.



ITEM	QTY	PART #	DESIG	DESCRIPTION
1	21	-----	LX1-21	LOAD REACTORS, 75KVAR 480V, 50HZ TAPPED @ 60HZ 3 PHASE
2	2	13013100	FMC, NDC	CONTACTOR 35A, 600V, 3POLE 120VAC CDIL
3	63	13021500	XC1A-21A XC1B-21B XC1C-21C	CONTACTOR 65A, 600V, 3POLE 120VACXDIL
4	4	14044000	CF1 CF9-11	FUSE 10A, 600V, 100KAIC
5	4	14009000	CF4-7	FUSE 1.5A, 600V, 200KAIC
6	2	14009000	CF2-3	FUSE 1.5A, 600V, 200KAIC
7	1	14058000	CF8	FUSE 20A, 600V, 100KAIC
8	126	14086000	F1-126	FUSE 70A, 600V, 200KAIC
9	1	15011500	[CF10-11]	FUSEBLOCK 30A, 600V, 2 POLE
10	3	15012500	[CF1-9]	FUSEBLOCK 30A, 600V, 3 POLE
11	4	-----	MOT1-4	FAN/SHUTTER ASSY 120V MOTOR GRAINGER 2C710
12	2	25663700	TB' SH' TB' CP'	TERMINAL BLOCK 30A, 300V, 3 LINE,
13	2	25670000	TB' B, C'	TERMINAL BLOCK 30A, 300V, 12 LINE,
14	1	25673000	TB' A'	TERMINAL BLOCK 30A, 300V, 24 LINE,
15	14	24771000	CPR, ITR, ETR LSR1-6, FFR NDR, FSR1-2, TDRX	GENL PURPOSE RELAY 10A, 3PDT, 120VAC CDIL
16	15	24891000	[SEE ITEM] [15, 21]	RELAY BASE 11 PIN SCREW TRM 300V, 10A
17	1	25289500	AFS	SAIL SWITCH 5A @ 120V
18	1	25309650	INTS	INTAKE TEMP SWITCH SPST, OPENS @ 120 DEG F

ITEM	QTY	PART #	DESIG	DESCRIPTION	
19	1	25309560	EXTS	EXHAUST TEMP SWITCH OPENS @ 75 DEG F ABOVE NORMAL OPERATING TEMP	
20	1	25512400	TC	THERMOCOUPLE, TYPE J (FOR EXTS)	
21	1	50011300	TDR	TIME DELAY RELAY, DPDT, INTERNAL ADJUSTMENT, 120VAC, 0-30 SECONDS	
22	1	25317000	DSW	DISCONNECT SWITCH 40A, 600V, 20HP-480V	
23	12	24338000	SH1-12	STRIP HEATER 350W @ 240V DP @ 117W @ 139V	
24	1	25242950	HMD	HUMIDISTAT 20-80% RH	
25	18	15400000		ISOLATOR, 600V, 2.75'	
26	3	47BD43713B	[MLB]	BUS BAR JUMPER COPPER BAR TIN PLATED 1/4" X 6" X 18.5'	
27	1	-----	MLB	MAIN LOAD BUS COPPER BAR TIN PLATED 7BD44362A 7BD44359B 7BD44357A 7BD44360B 7BD44358A 7BD44361B	
			ASS' Y	(2) 1/4" X 3" X 32.5 A PH (2) 1/4" X 3" X 57" A PH (2) 1/4" X 3" X 38.5" B PH (2) 1/4" X 3" X 63" B PH (2) 1/4" X 3" X 44.5 C PH (2) 1/4" X 3" X 69 C PH	
28	1	47BD63191	[MLB]	BUS BAR GND COPPER BAR TIN PLATED 1/4" X 3" X 12.250'	
	29	9	25301000	S1-9	SWITCH DPDT, TOGGLE
	30	5	24258000	L1-5	LIGHT-BASE 120V, PSB
	31	5	24241000	L1-5	LIGHT-BULB 120V, PSB
	32	3	24280001	L2-4	LENS, RED
	33	2	24274001	L1, 5	LENS, GREEN

DISK 5/N: 3514

B A	ADDED ITEMS 28-33	DRAWN BY : DMT
	UPDATED LEGEND	DATE : 3/12/97
		DRAWN BY : DMT
		DATE : 2/25/97
<b>SIMPLX</b>		
		SPRINGFIELD, ILLINOIS
SCALE :	APPROVED BY :	DRAWN BY : ADR
DATE : 2/20/97		REVISED :
INDUCTIVE LOAD BANK 1575KVAR, 480V, 3Ø, 50/60HZ		SATURN 1575 KVAR PARTS LEGEND
W.O. #27080-97-43		DRAWING NUMBER 47B83367B

THE INFORMATION HEREON IS THE PROPERTY OF SIMPLEX, INC., AND/OR ITS SUBSIDIARIES. WITHOUT WRITTEN PERMISSION ANY COPYING, TRANSMITTAL TO OTHERS AND USE EXCEPT THAT FOR WHICH IT IS LOANED IS PROHIBITED.

